



**ARROWQUIP**

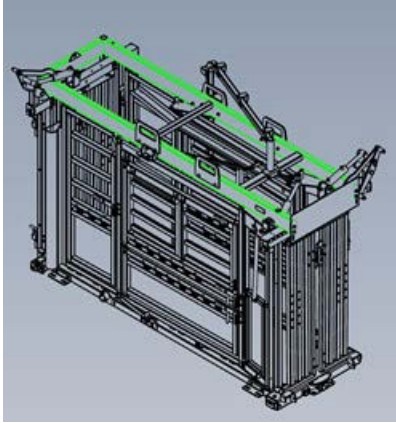
# Q-POWER 107 vs 106

WHAT'S NEW?

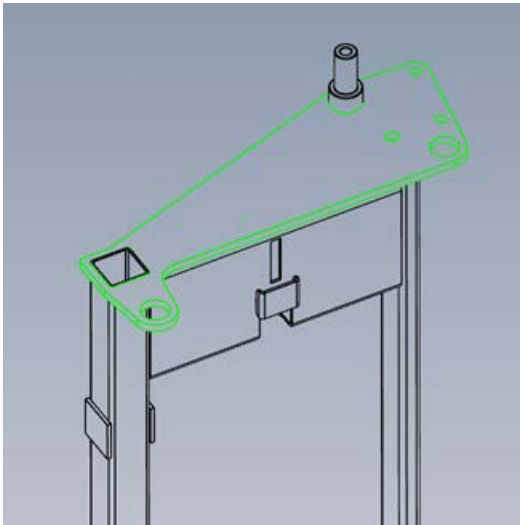


# 1. STRUCTURAL INTEGRITY

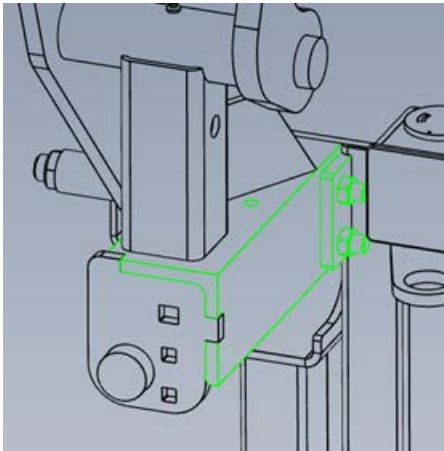
a. 2" x 6" beams for increased frame rigidity



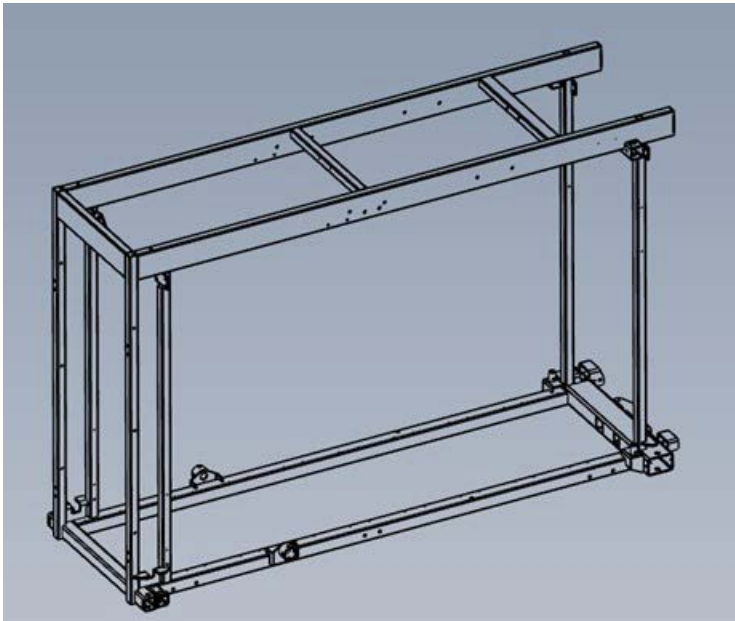
b. Needle Gate profile wraps around the upright 2x2 beam to eliminate tear point



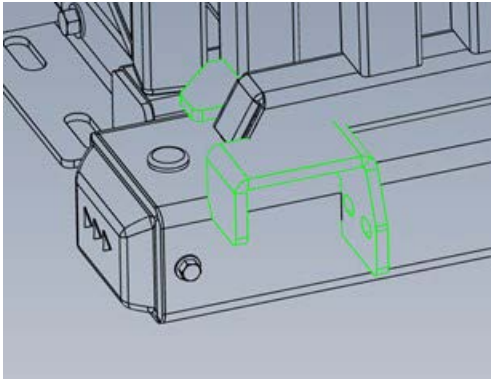
c. Improved plate connection on Head Gate angle



d. Interlocking frame for enhanced stability

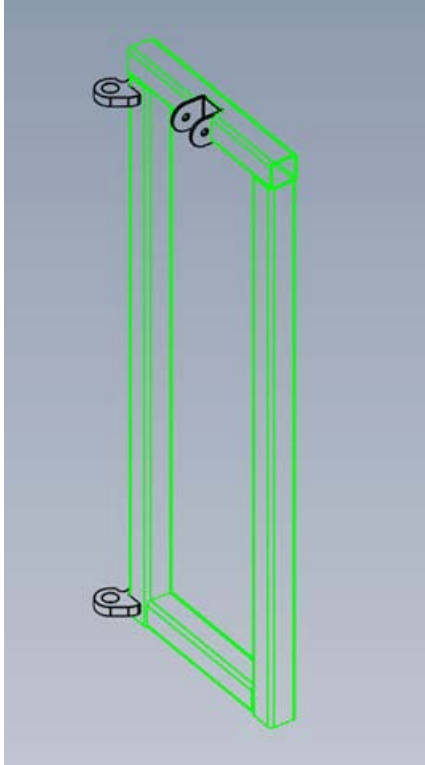


e. Stronger Q-Catch door guides improve performance without increasing build-up



## 2. ACCESS

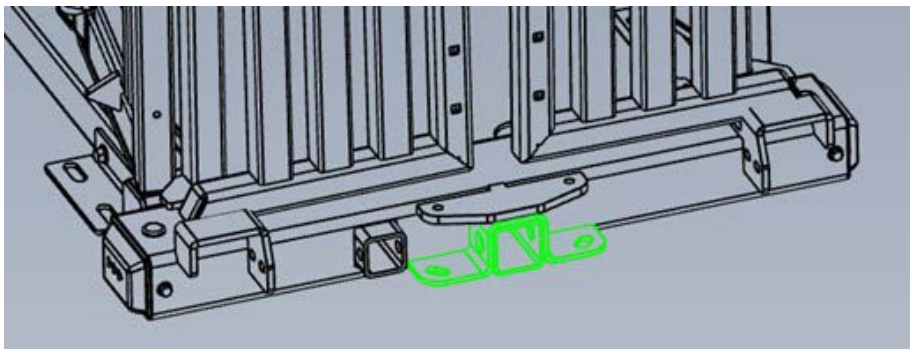
a. Removable needle door features a stronger tube frame structure



b. Enhanced vet door clearance

**3. PIVOTING SWING ARM ROTATES FULLY, WITH NO LEFT OR RIGHT HAND DESIGNATION REQUIRED**

**4. EASIER TOWING WITH THE INTEGRATED HITCH LOCATED AT THE CENTER OF THE CHUTE**



## **5. DELRIN HEAD GATE ROLLERS PROVIDE INCREASED DURABILITY AND MINIMIZE WEAR**

## **6. IMPROVED SAFETY**

- a. Increased height on needle door minimize the likelihood of a foot getting over the door
- b. Fork Targets come standard, allowing you to move the chute with other equipment safely