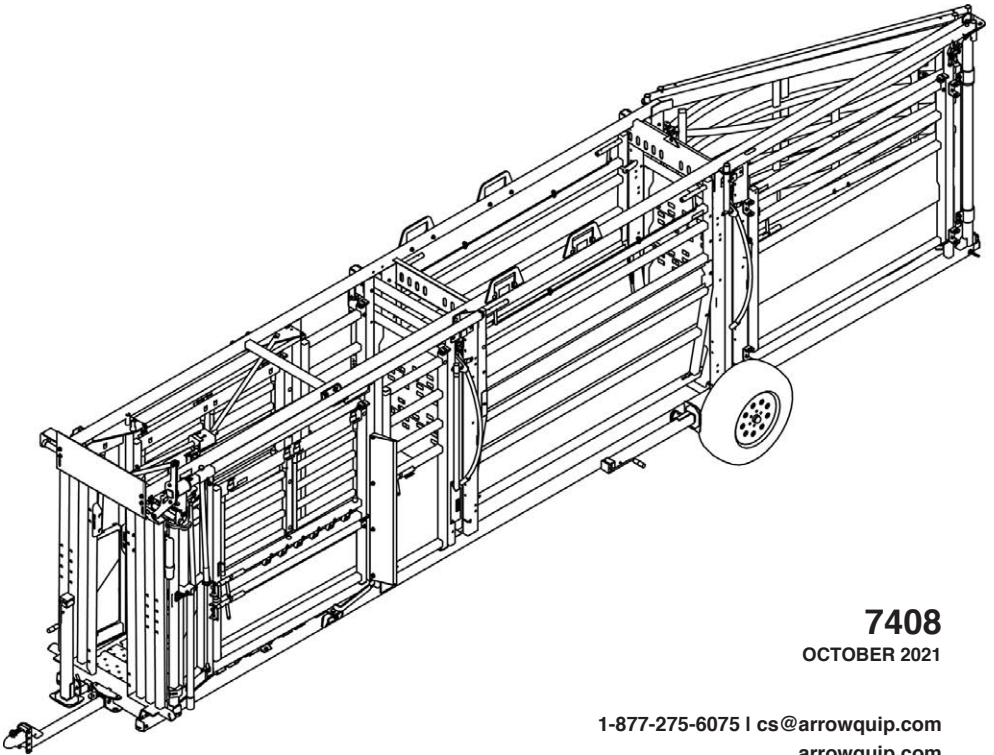




ARROWQUIP

PRODUCT MANUAL

PORTABLE Q-CATCH[®] 74 SERIES CHUTE, ALLEY, & TUB



7408

OCTOBER 2021

1-877-275-6075 | cs@arrowquip.com
arrowquip.com

CONTENTS

Safety Precautions	1
Risk Assessment	2
Transporting the Q-Catch 74 Series Portable Working System	2
Requirements	2
Reference for Manual Jacks	2
To Lower Unit for Use	3
To Raise Unit for Transport	8
Using the Q-Catch Cattle Chute	13
Operating the Q-Catch Cattle Chute	14
Q-Catch Head Gate Assembly	14
Emergency Head Gate Release	15
Head Gate & Squeeze Conversion	17
Q-Catch Add-Ons	29
3rd Generation Q-Catch Head Holder	29
Sheeted Sternum Bar	30
Trimming Bar	31
Easy Flow Alley Section	32
Adjusting the Easy Flow Alley	32
Using the Removable Panels	33
Using the Emergency Exit	34
Scale Platform Installation	35
Rolling Door Switch	37
Collapsible Tub	41
Operating Guidelines	41
Using the Crowding Tub	41
Recommended Maintenance	41
Regular Maintenance (Every 6 Months)	41
When Necessary	43
Friction Lock Maintenance	44
Wheel Maintenance	45
Troubleshooting Guide	45
Head Gate	45
Squeeze Chute	46
Manual Jacks	46
Recommended Use	46
Warranty	46

PLEASE FOLLOW ALL SAFETY INSTRUCTIONS PROVIDED IN THIS MANUAL BEFORE OPERATION. ARROWQUIP DOES NOT ACCEPT RESPONSIBILITY FOR ANY ACCIDENTS OR INJURY WHEN THIS SAFETY MANUAL HAS NOT BEEN READ IN FULL AND KEPT WITH THE PRODUCT AT ALL TIMES. OPERATORS OF THIS PRODUCT TAKE AND ACCEPT RESPONSIBILITY FOR ANY HARM OR INJURY TO THE ANIMAL OR OPERATOR WHEN IT PERTAINS TO HOW THE EQUIPMENT IS USED AND MAINTAINED.

Please keep this manual for frequent reference and to pass on to new users or owners.

SAFETY PRECAUTIONS

PLEASE FOLLOW ALL SAFETY PRECAUTIONS OUTLINED HEREIN. ANY HARM TO THE ANIMAL OR INJURY TO THE OPERATOR WHICH OCCURS DUE TO HOW THE PRODUCT IS OPERATED, OR RESULTING FROM A LACK OF SAFETY PRECAUTIONS ARE THE SOLE RESPONSIBILITY OF THE OPERATOR.

All farm machinery and equipment is potentially dangerous. Careless use of any Arrowquip livestock equipment may cause injury or damage to persons, cattle, or property. Arrowquip has taken precautions in the design and manufacturing of this product to ensure that it is safe and user-friendly. Therefore, user must assume all responsibility and risk associated with the possession and use of the equipment.



WARNING: READ BELOW BEFORE OPERATION.

1. Ensure the operator understands the contents of this manual before using the equipment.
2. **DO NOT** wear loose-fitted clothing.
3. Ensure the equipment is on a firm, level, dry surface that is free of rocks and other trip hazards.
4. **DO NOT** enter the vet cage until the animal is secured in the head gate.
5. **DO NOT** stand in front of the head gate while operator is moving the cattle through the squeeze chute.
6. **DO NOT ALLOW CHILDREN UNDER THE AGE OF 18 NEAR AN OPERATING MACHINE.**
7. Follow safe cattle handling procedures in other areas of the yard so that cattle are more docile.
8. **DO NOT** make any modifications to Arrowquip equipment. Non-factory modifications to the equipment can reduce the safety for the operator and livestock.

RISK ASSESSMENT

Conduct a risk assessment on procedures for which the equipment is used and establish a safe work procedure.

1. Ensure all users of the equipment have been inducted and comply with safe working procedure.
2. Please ensure that there are NO large or hazardous objects inside the equipment that may cause injury to the animal or operator, or may cause the equipment to malfunction.
3. Make sure that your equipment has been cleared of ALL livestock after use.
4. Some chemicals and medicines can damage powder coat. Take all precautions and wash after use.
5. Maximum speed 40km/25mph
6. Maintain tire pressure of 80 psi.
7. Check wheel lug nuts after 10, 25, 50 miles of use, ensure torqued to 120 ft. lbs.
 - a. This applies to first time use and wheel changes.

TRANSPORTING THE Q-CATCH 74 SERIES PORTABLE WORKING SYSTEM



WARNING: FOLLOW ALL INSTRUCTIONS OUTLINED HEREIN CAREFULLY TO ENSURE OPERATOR SAFETY WHEN READYING THE UNIT FOR TRANSPORT.

REQUIREMENTS:

- Level ground
- 2 people

REFERENCE FOR MANUAL JACKS

For manual jack control, refer below:



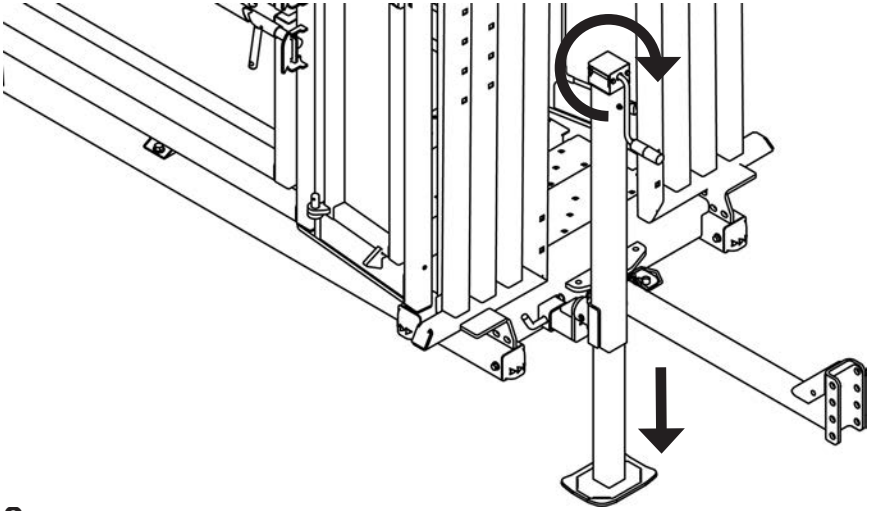
JACK UP



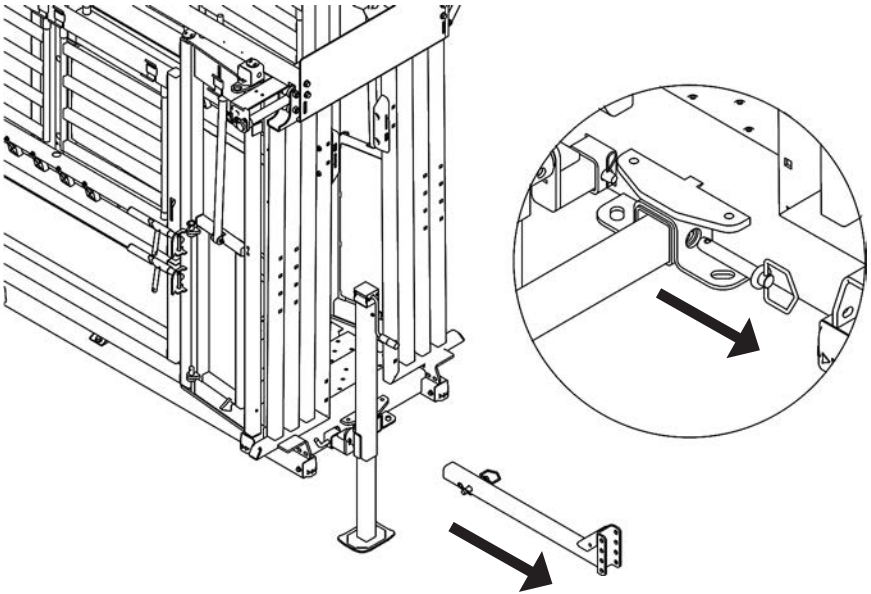
JACK DOWN

TO LOWER UNIT FOR USE:

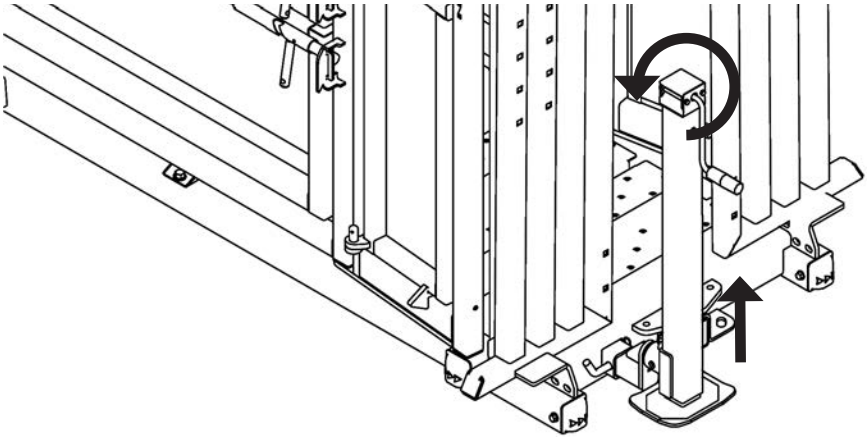
- 1 Extend the front jack to the ground and unhook the unit from towing vehicle.



- 2 Remove the hitch from the unit.

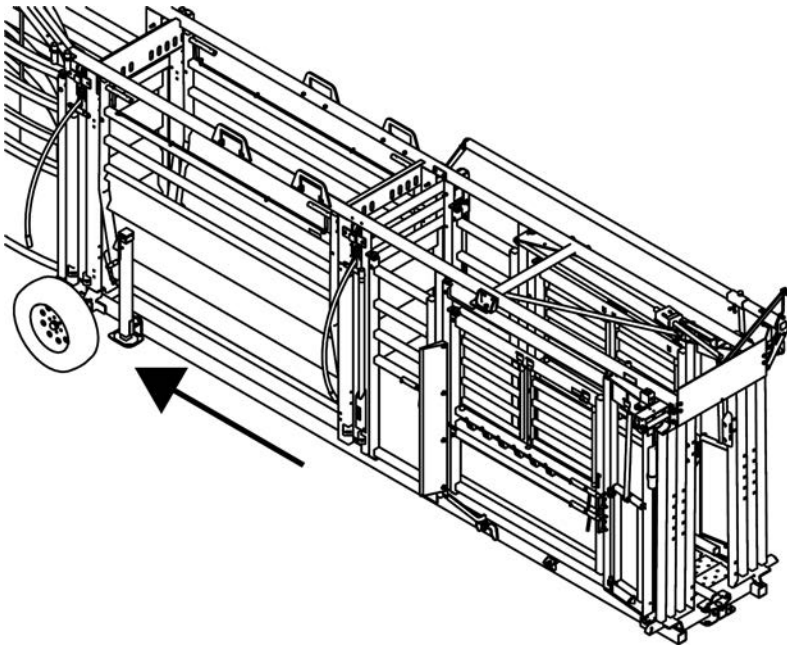


- 3** Using the front jack, retract the chute to the ground.



- 4** Transfer the front jack to the alley section.

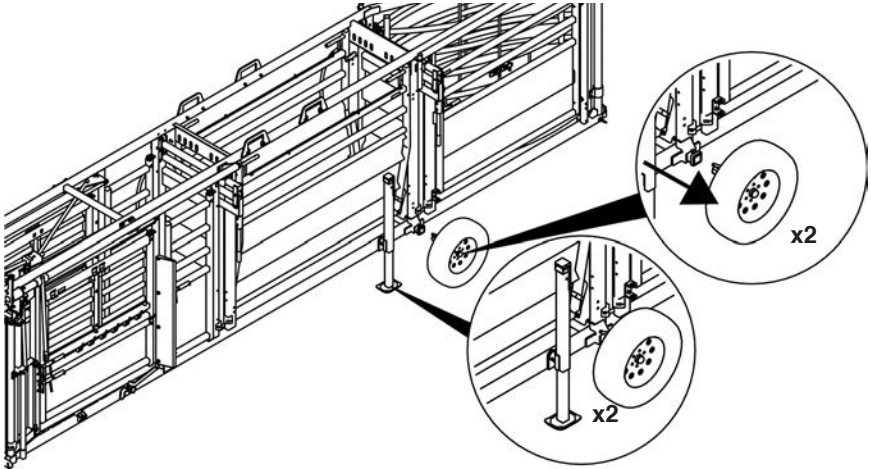
At this point, both jacks should be attached to either side of the alley.



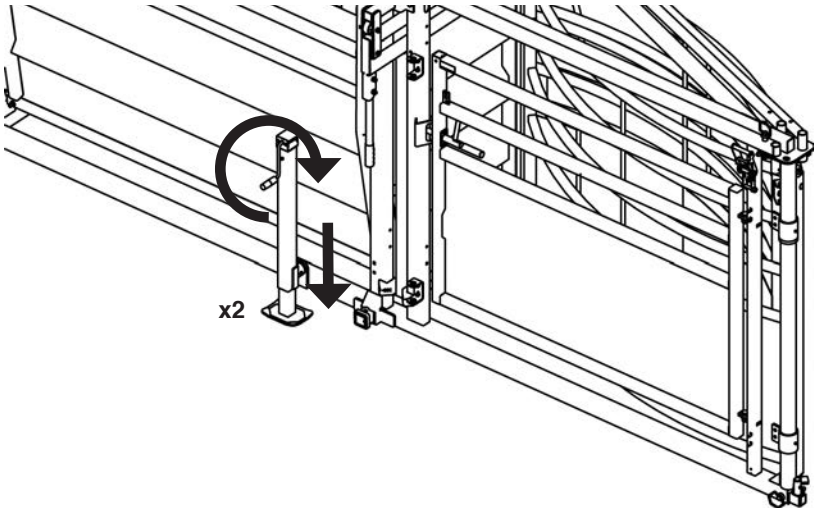
- 5** Using both jacks simultaneously, raise the unit until the tires are 1" above the ground. Remove tires and set aside.



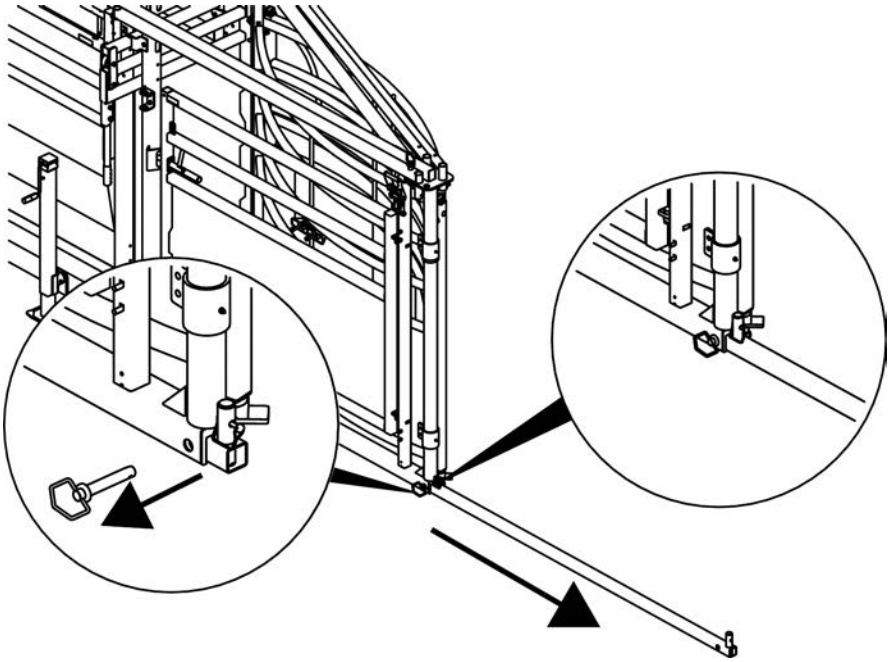
WARNING: BOTH JACKS SHOULD ALWAYS BE AT THE SAME HEIGHT TO KEEP THE UNIT BALANCED.



- 6** Using both jacks simultaneously, lower the unit until the tub section is 3-6" above the ground.



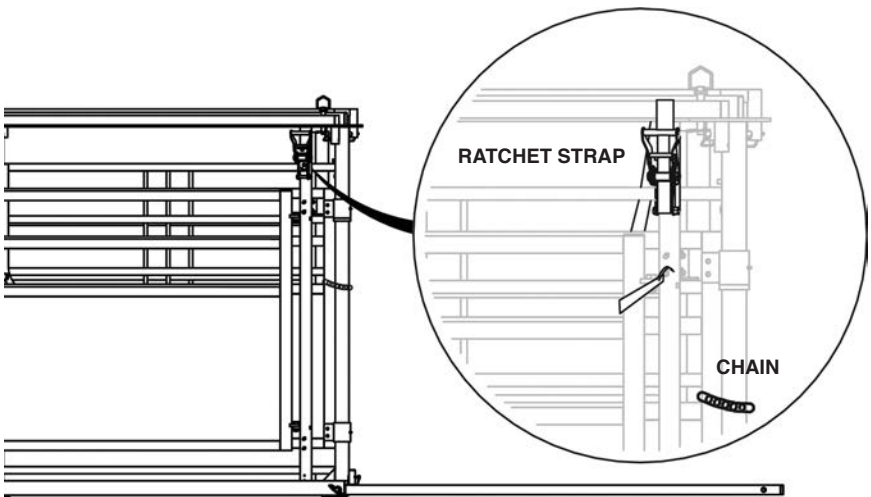
7 Remove the pin and pull out the bottom joiner bar. Secure with the same pin.



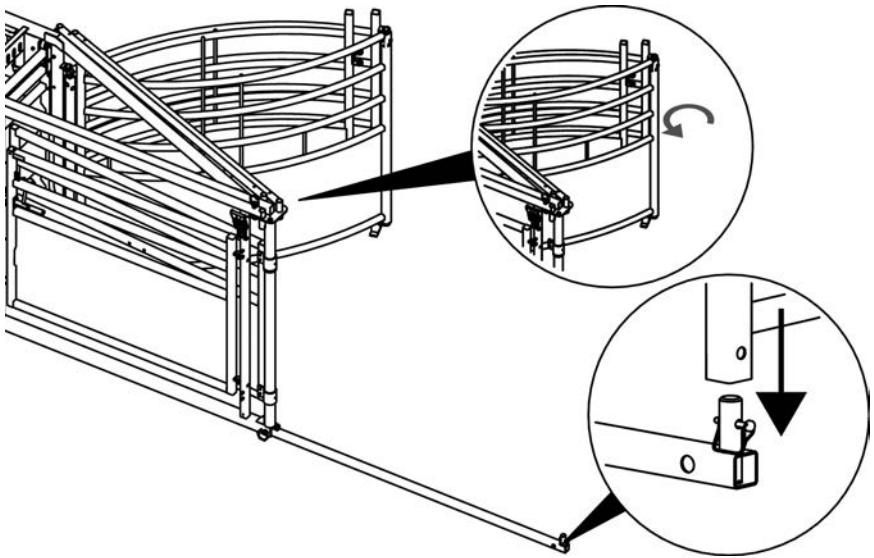
8 Loosen the ratchet strap and safety chain. Set aside.



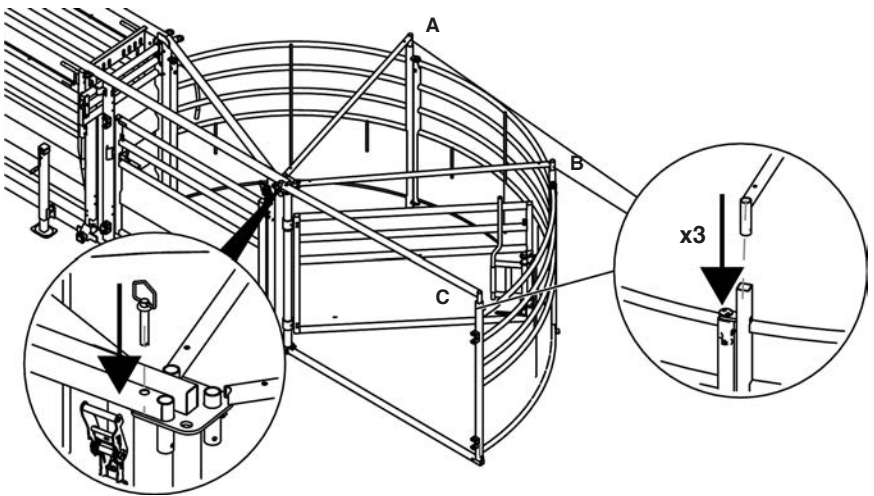
WARNING: HOLD THE PANELS WHILE RELEASING THE STRAP TO PREVENT THE TUB FROM UNFOLDING UNINTENTIONALLY.



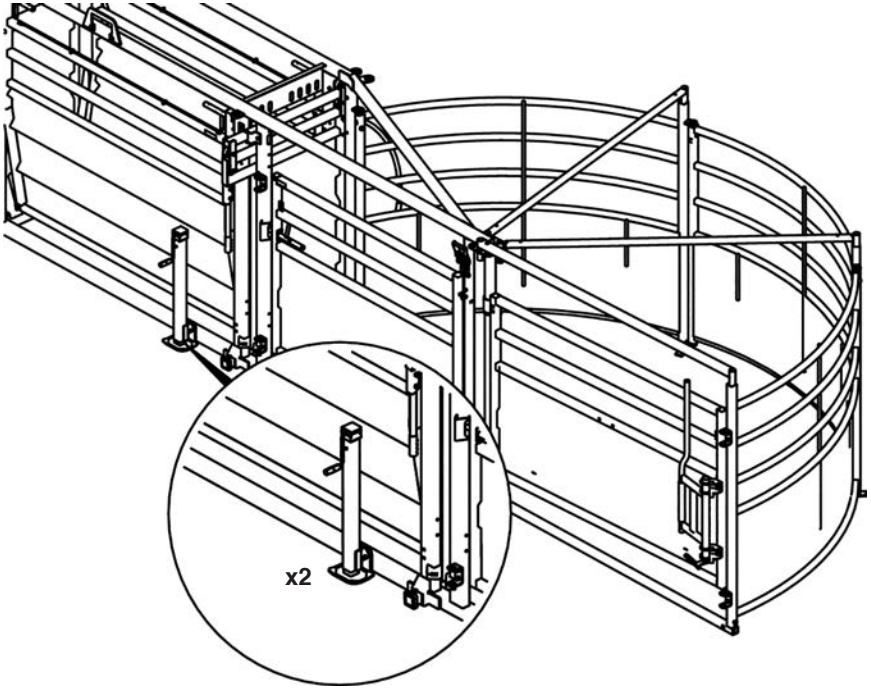
9 Unfold the panels and attach to the bottom joiner bar.



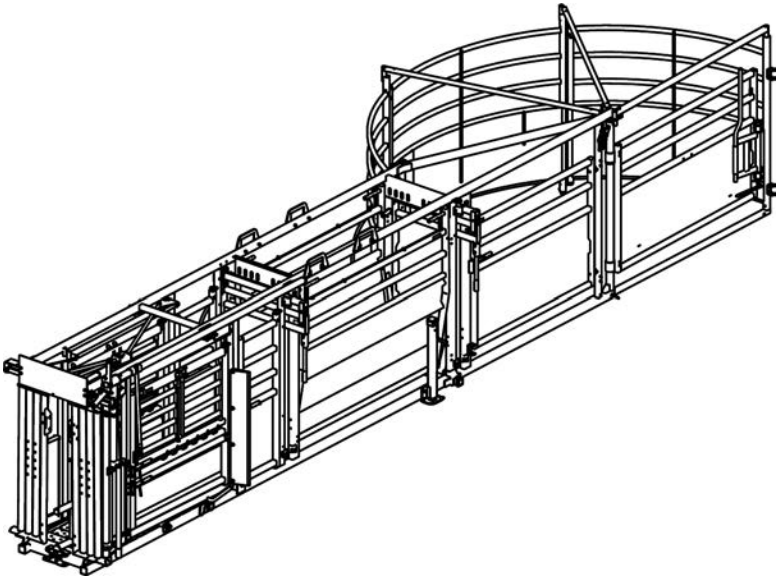
10 Attach the top joiner bars to the panels as shown.



11 Using both jacks simultaneously, lower the unit to the ground completely.

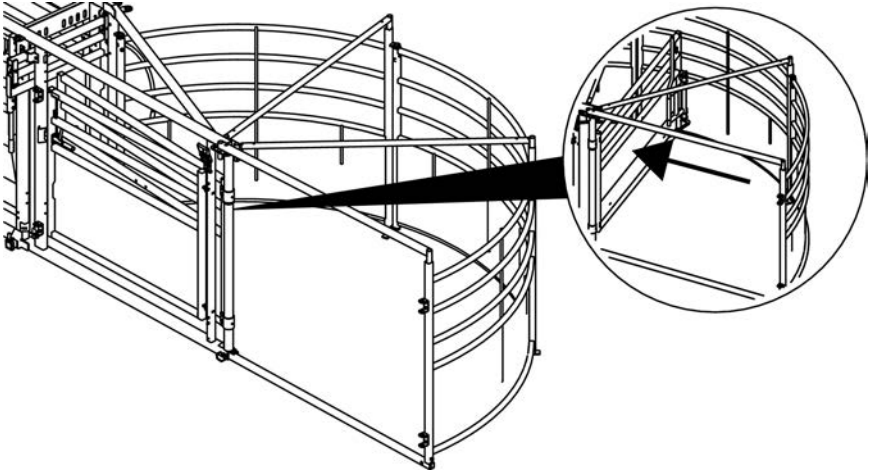


READY FOR USE

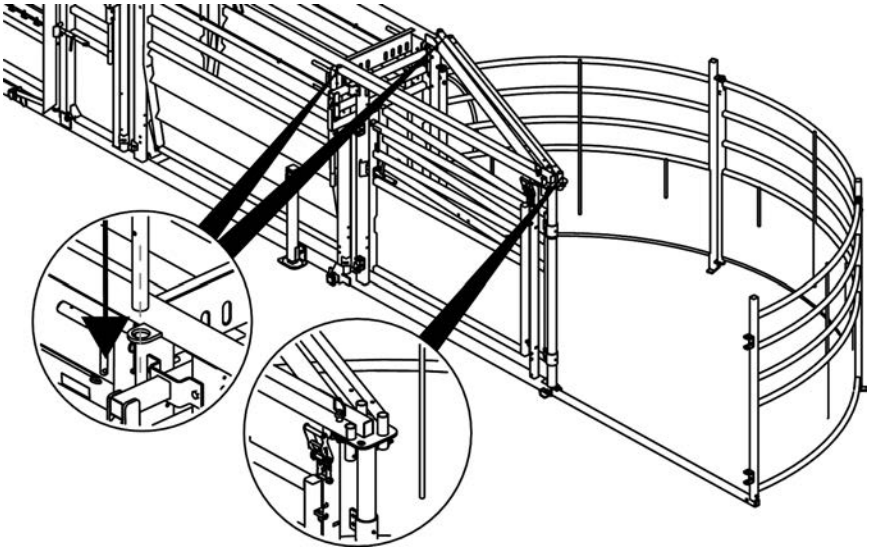


TO RAISE UNIT FOR TRANSPORT:

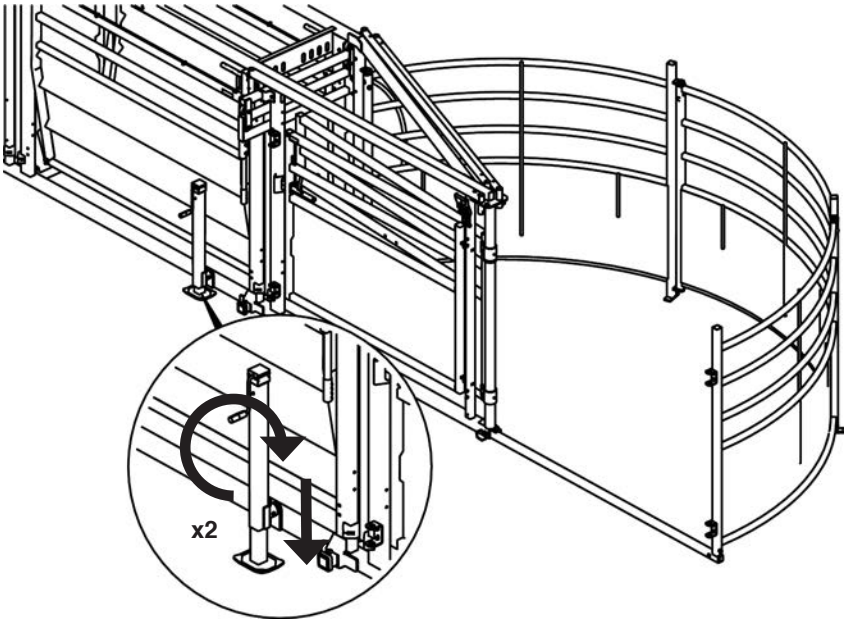
- 1 Push crowd gate up against the swing gate.



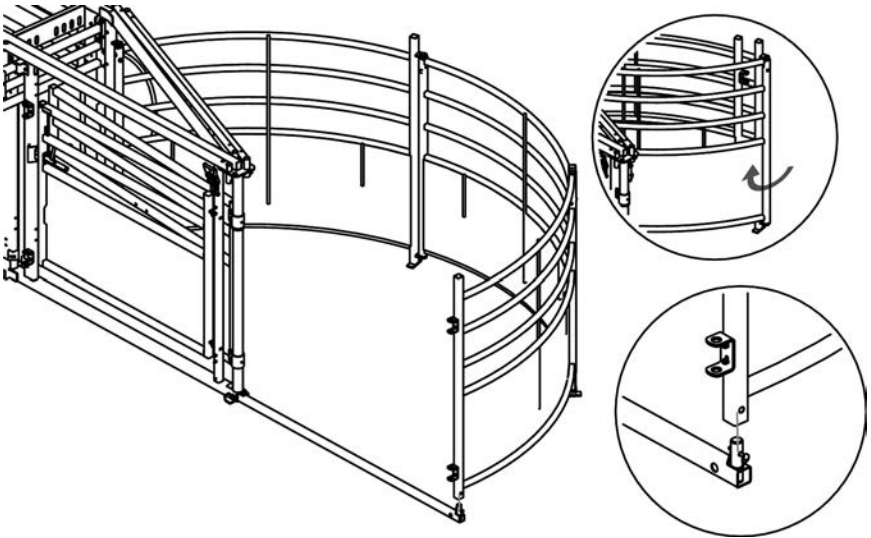
- 2 Return the top joiner bars to their respective holders. Secure the top left joiner bar with the pin.



3 Using both jacks simultaneously, raise the unit until the tub section is 3-6" above the ground.



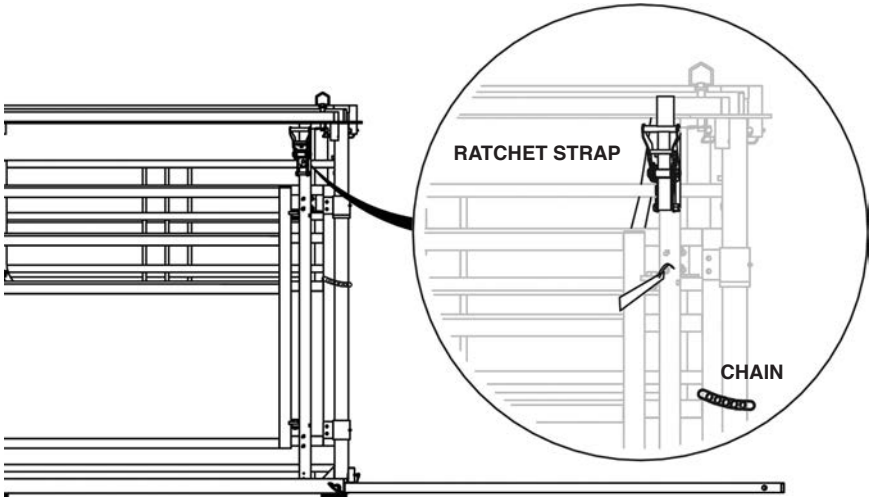
4 Fold curved panels in on one another.



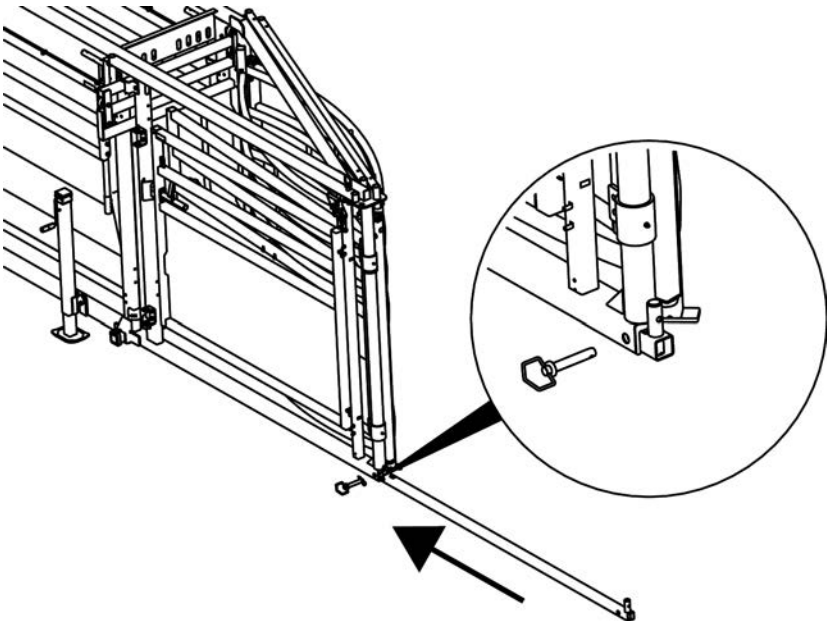
- 5 Secure panels with the ratchet strap and transport chain as shown. Tighten the ratchet strap to prevent sag in panels during transport.



WARNING: HOLD THE PANELS WHILE TIGHTENING THE STRAP TO PREVENT THE TUB FROM UNFOLDING UNINTENTIONALLY.



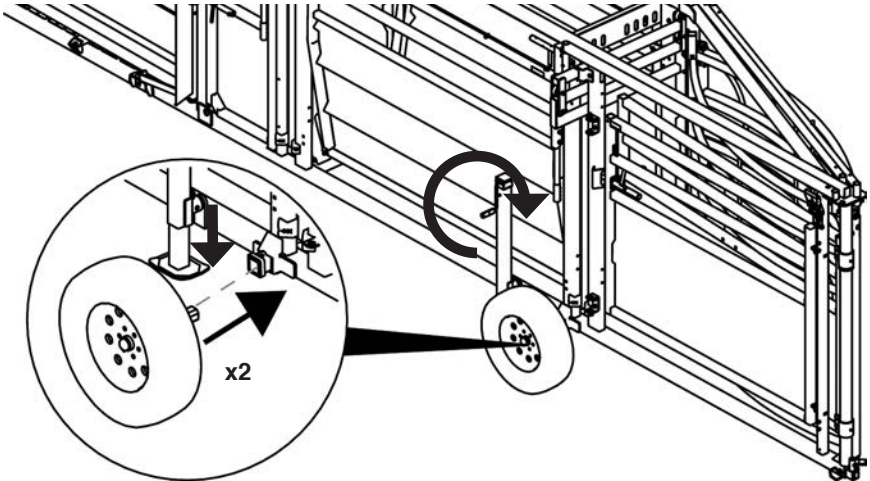
- 6 Retract the bottom joiner bar and secure with the pin.



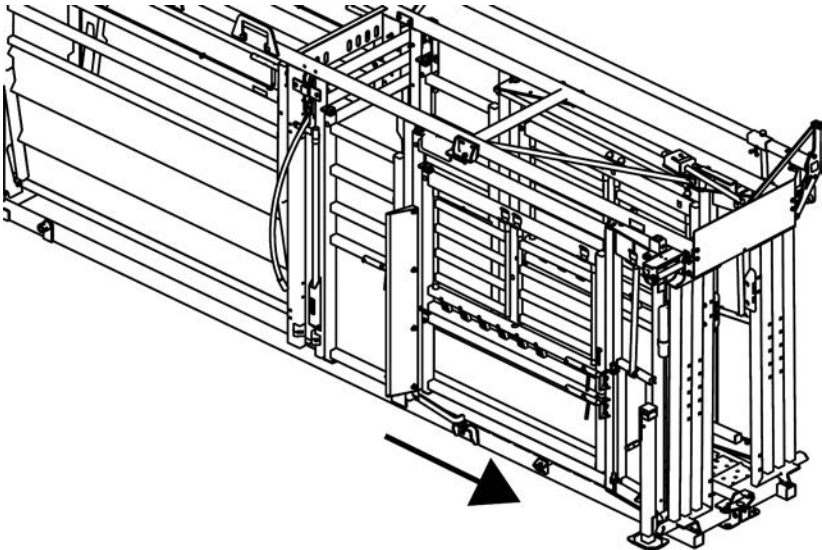
- 7 Using both jacks simultaneously, raise the unit 12-14" above the ground. Install tires, and retract jacks completely.



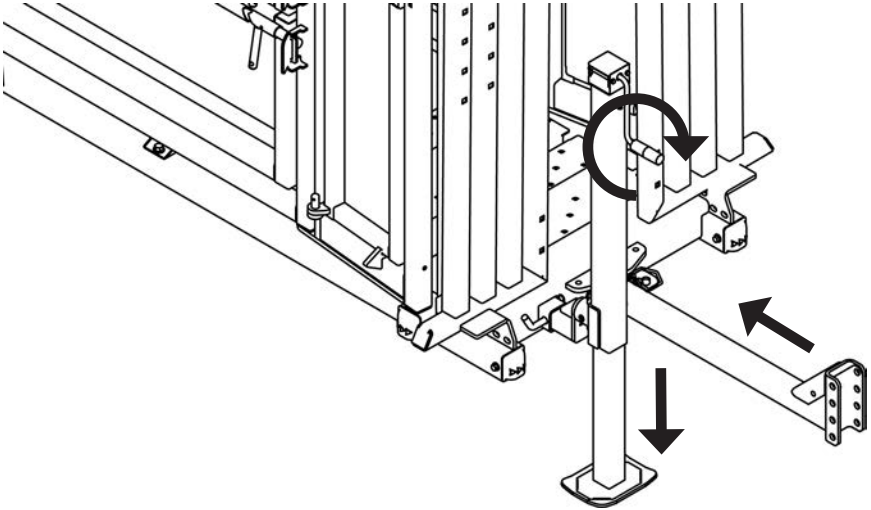
WARNING: BOTH JACKS SHOULD ALWAYS BE AT THE SAME HEIGHT TO KEEP THE UNIT BALANCED.



- 8 Transfer the right rear jack to the front of the unit.



- 9** Using the front jack, raise the chute 3" above the ground. Install the hitch and secure with the pin.

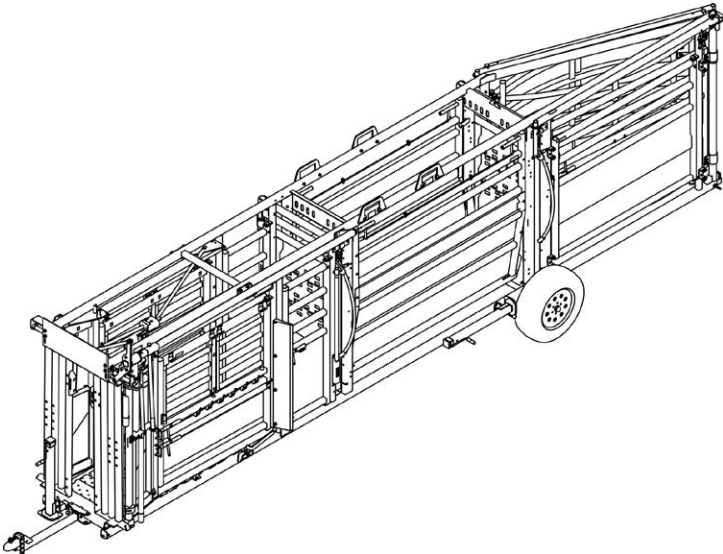


- 10** Connect the unit to the towing vehicle. Adjust the hitch to the proper position for the vehicle, if necessary.

- 11** Retract the front jack completely.

NOTE: Ensure all jacks are retracted for transport BEFORE DRIVING.

READY FOR TRANSPORT



USING THE Q-CATCH 74 SERIES CATTLE CHUTE

This section contains:

- Operating the Q-Catch 74 Series
- Assembling the Q-Catch Head Gate
- Emergency Head Gate Release
- Head Gate & Squeeze Conversion
- Q-Catch 74 Series Add-Ons

OPERATING THE Q-CATCH 74 SERIES



ENSURE ALL CHUTE FUNCTIONS AND ADD-ONS ARE WORKING PROPERLY BEFORE OPERATING.

1. Ensure the head gate, tail gate, and all access points are closed before the animal enters the chute.
2. Open tail gate for the animal to enter the squeeze chute enclosure.
3. Close tail gate.
4. Open head gate slightly more than the neck size of the animal to tempt the animal to stick its head through the head gate. When neck of animal is in the correct position, quickly close the head gate securely on the animal's neck.
5. If required, side squeeze animal and engage head restraint to restrain further movement.
6. If the animal applies excessive pulling pressure on head gate, it is recommended to use the anti-backing bar behind cattle rump.



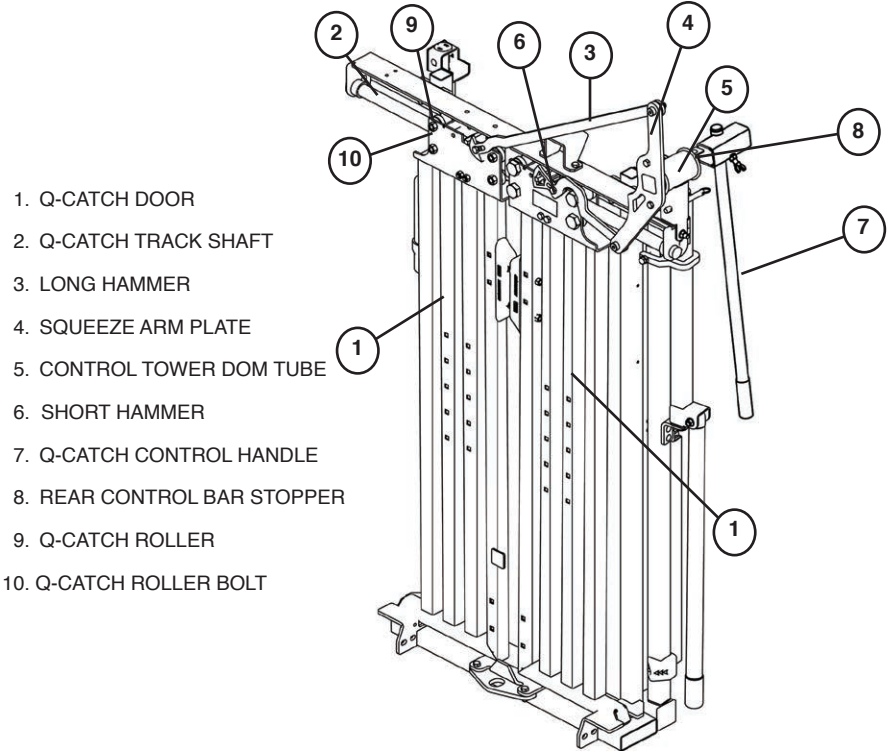
CONFIRM ANIMAL IS SECURELY HELD BEFORE CARRYING OUT ANY HUSBANDRY WORK.

Q-CATCH HEAD GATE ASSEMBLY

Your chute will come with the head gate fully assembled and ready for use. However, if you need to disassemble your head gate for any reason, the following guide will help you to properly reassemble your chute.

ASSEMBLING THE Q-CATCH MECHANISM

Fit the mechanism parts as shown in the diagram below.



1. Q-CATCH DOOR
2. Q-CATCH TRACK SHAFT
3. LONG HAMMER
4. SQUEEZE ARM PLATE
5. CONTROL TOWER DOM TUBE
6. SHORT HAMMER
7. Q-CATCH CONTROL HANDLE
8. REAR CONTROL BAR STOPPER
9. Q-CATCH ROLLER
10. Q-CATCH ROLLER BOLT

EMERGENCY HEAD GATE RELEASE

Arrowquip squeeze chutes are designed to ensure the safety of both animal and operator. **With proper maintenance and lubrication, the head gate will not jam under pressure.** However, in the rare event that an animal becomes stuck in the head gate, the following guidelines will ensure you are able to release your animal quickly and safely.

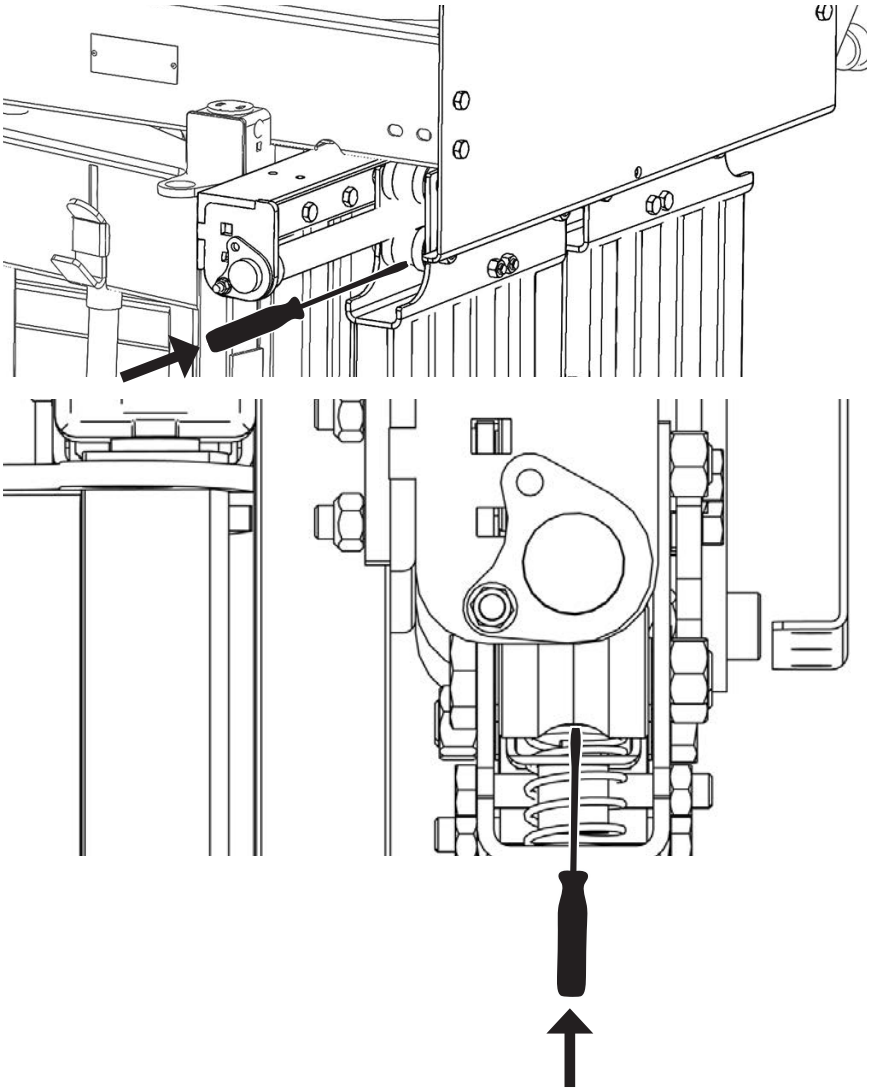
REQUIRED TOOLS

- Screw Driver/Pry Bar

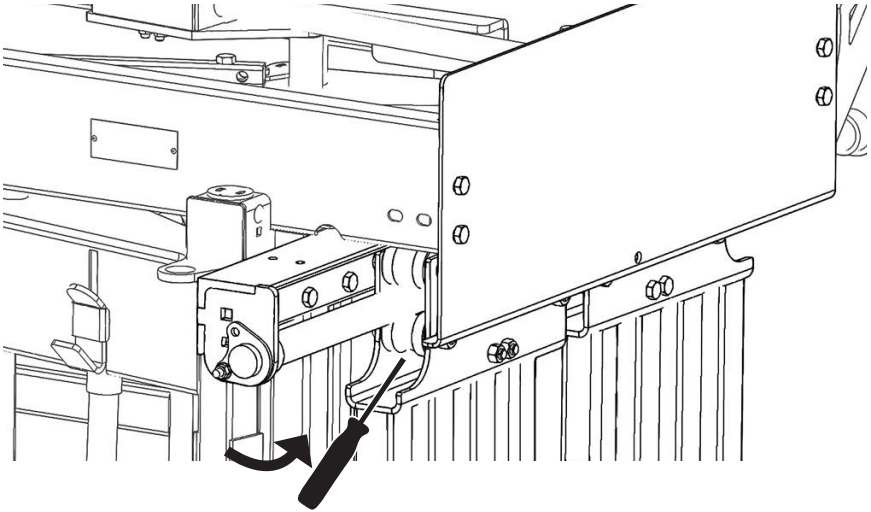
STEPS TO RELEASE LOCK

- 1** Go to the offside of the chute, to ensure you will not be hit by the head gate handle. If your chute is designed for offside operation, you will need to go to the nearside of the chute.
- 2** Place screwdriver/pry bar under bottom head gate roller on the outer edge of the door. (This is the side with the “L” curve, not the straight side.)

3 Insert screwdriver/pry bar into the small space above the spring in the head gate lock plate.



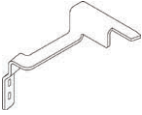
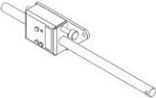
- 4** Tilt the screwdriver/pry bar up and into the head gate roller. This will push down the spring, releasing the locking mechanism on the head gate door.



HEAD GATE & SQUEEZE CONVERSION

Arrowquip squeeze chutes can be ordered based on your preferred operating side. In the rare event that you would need to operate the head gate and squeeze on the opposite side, please contact your local dealer for additional parts and follow these instructions.

ADDITIONAL PARTS TO ORDER

	Left-Hand Product Code	Right-Hand Product Code
Squeeze Fandangle 	2003192	2003716
Squeeze Lockbox 	2000355	2002384

REQUIRED TOOLS

- 9/16" wrench
- 15/16" wrench
- 3/4" wrench
- 3/8" hex key

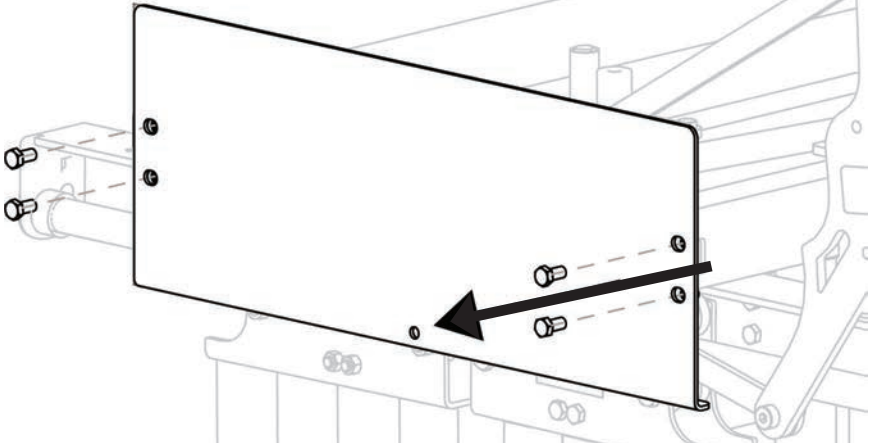
LEFT-HAND TO RIGHT-HAND

NOTE: Switching from Left-hand to Right-hand operation shown. For Right-hand to Left-hand operation, complete the steps from the opposite side.

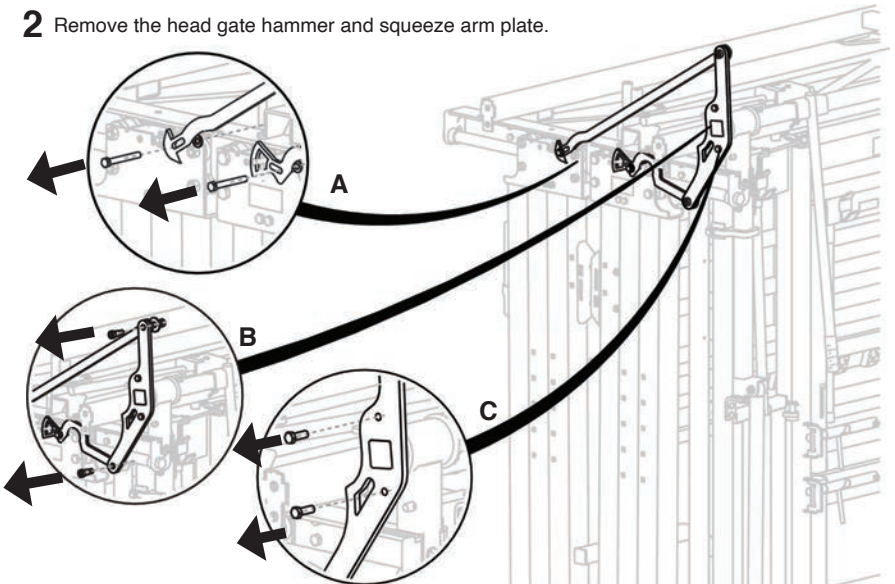


SET PARTS ASIDE TOGETHER WITH THE CORRESPONDING BOLTS AND WASHERS.

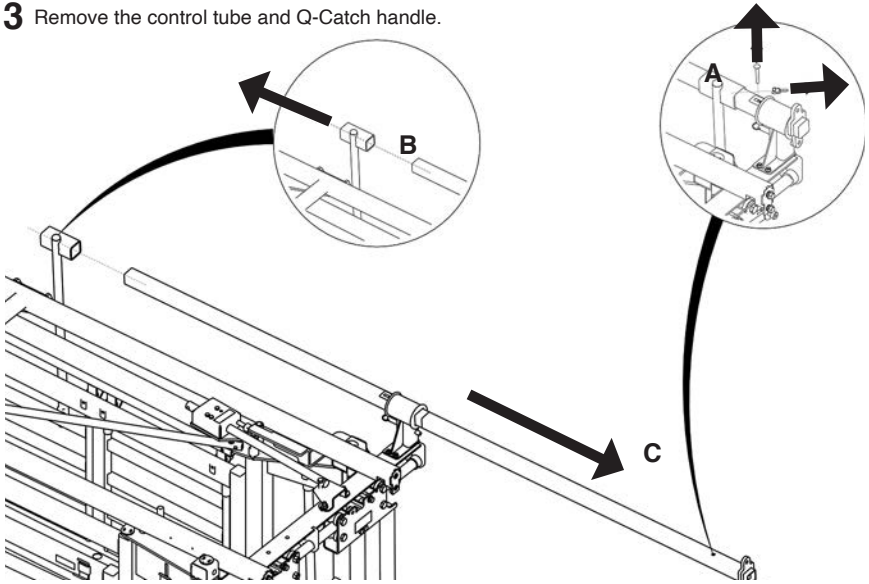
- 1 Remove the Q-Catch shield.



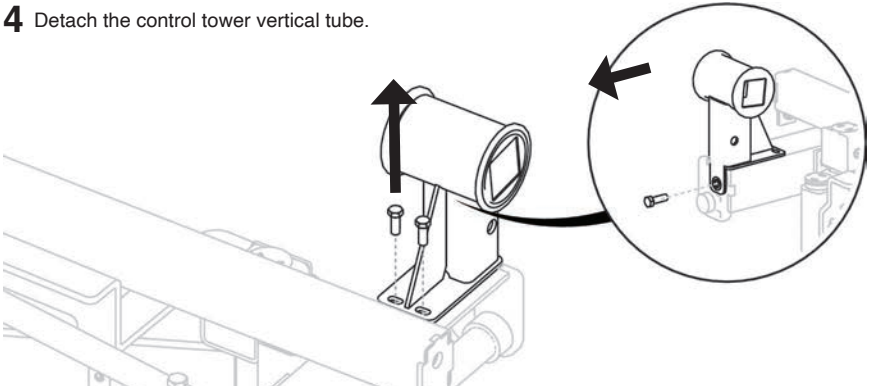
- 2 Remove the head gate hammer and squeeze arm plate.



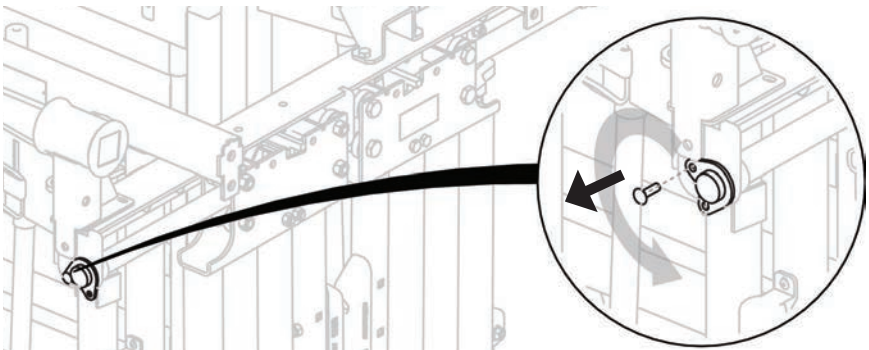
3 Remove the control tube and Q-Catch handle.



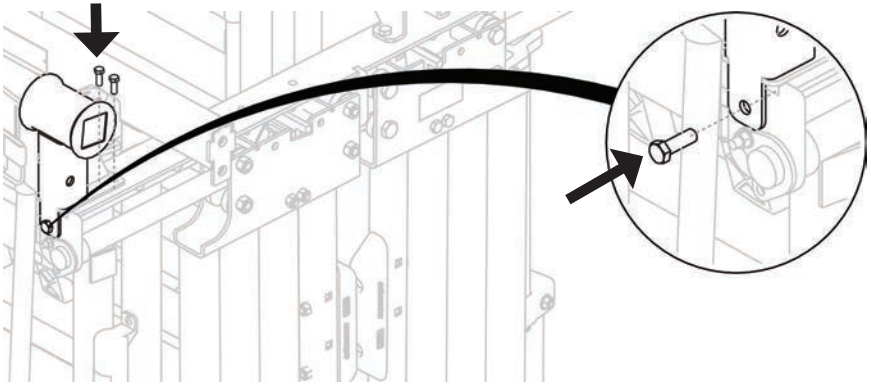
4 Detach the control tower vertical tube.



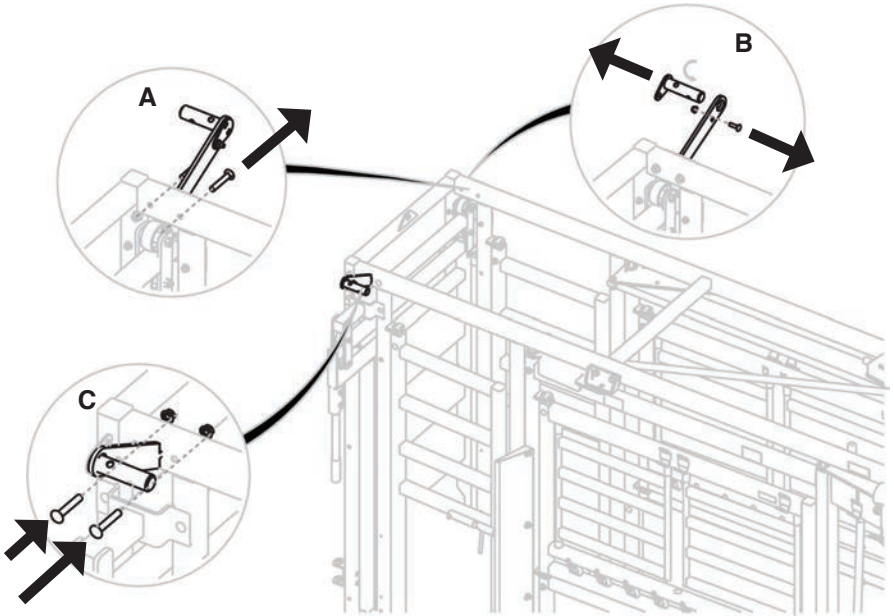
5 Unbolt the shaft, rotate to align with the second hole, and secure.



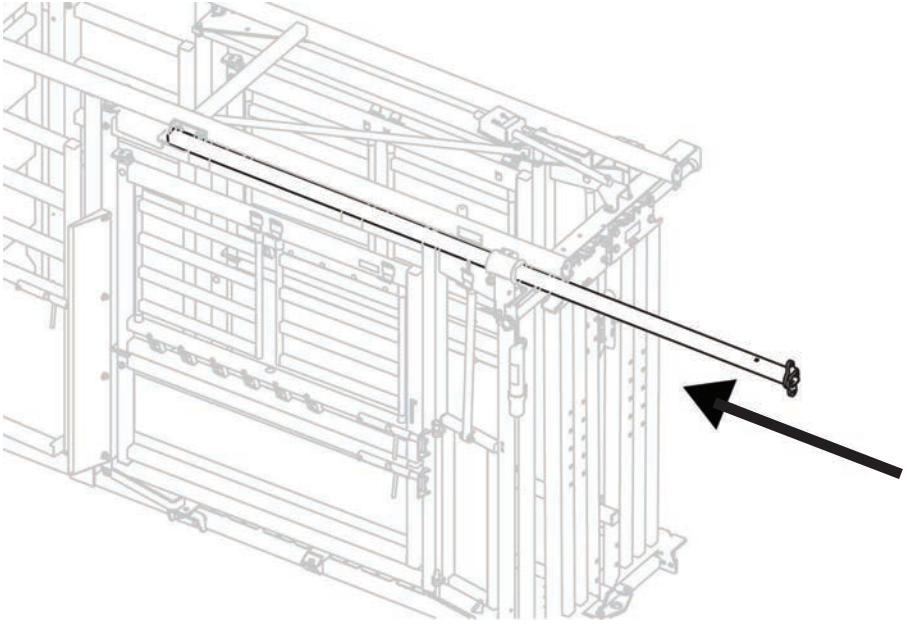
6 Install the control tower vertical tube and fasten with bolts.



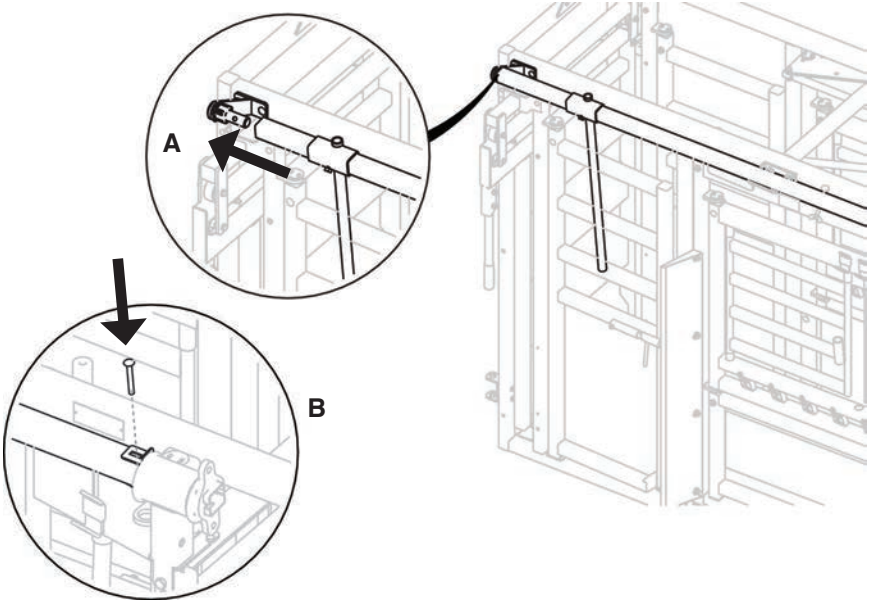
7 Flip the squeeze axle welding on the rear control bracket and transfer it to the opposite side.



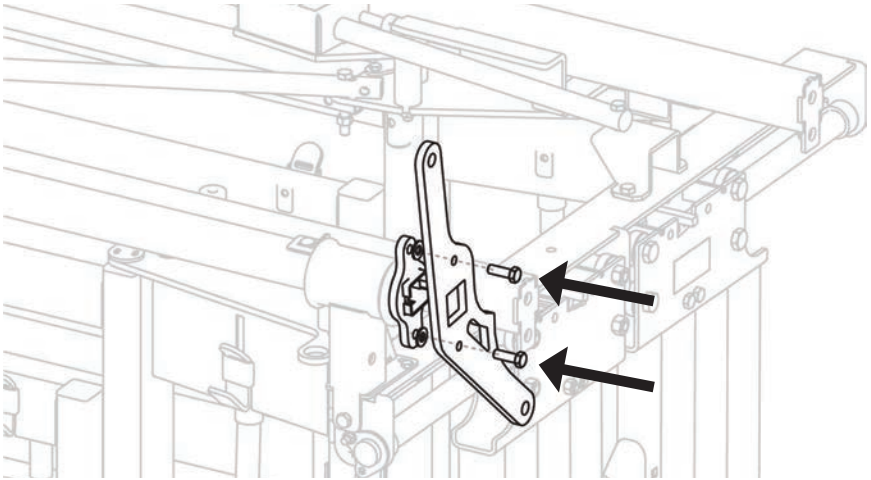
8 Feed the control tube through the control tower vertical tube.



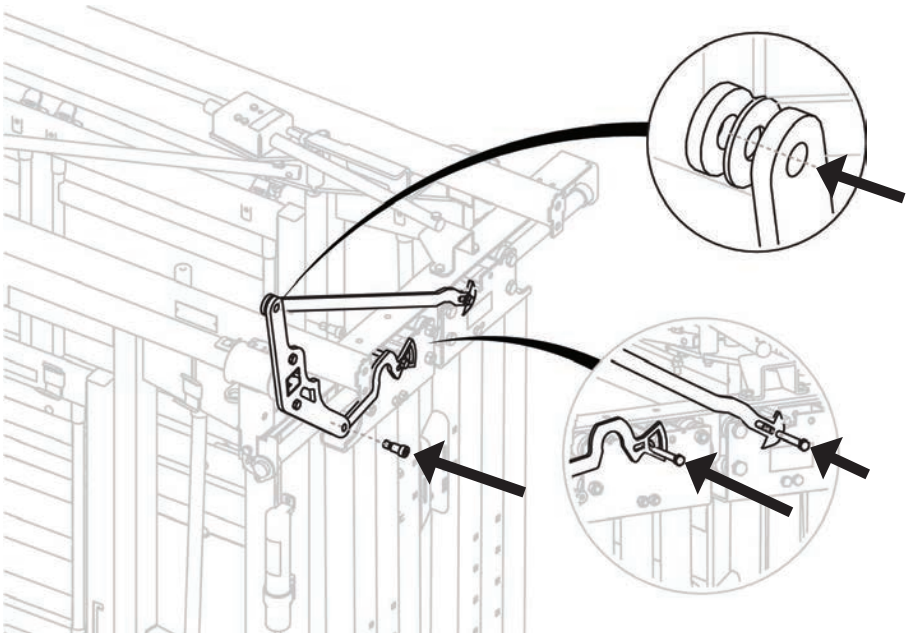
9 Insert the Q-Catch handle and mount the control tube on the rear control bracket. Secure with a bolt on the opposite side.



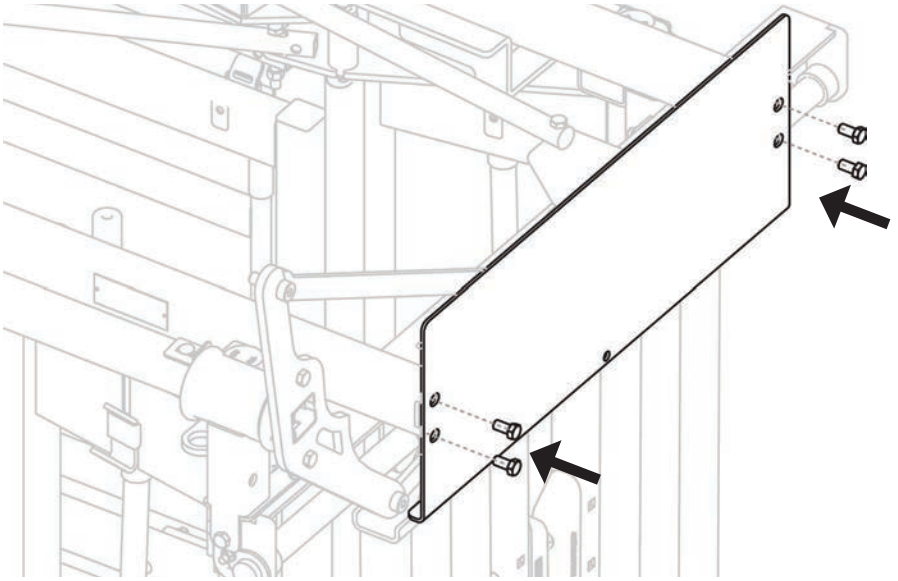
10 Install the squeeze arm plate.



11 Install the head gate hammer and connect it to the squeeze arm plate.



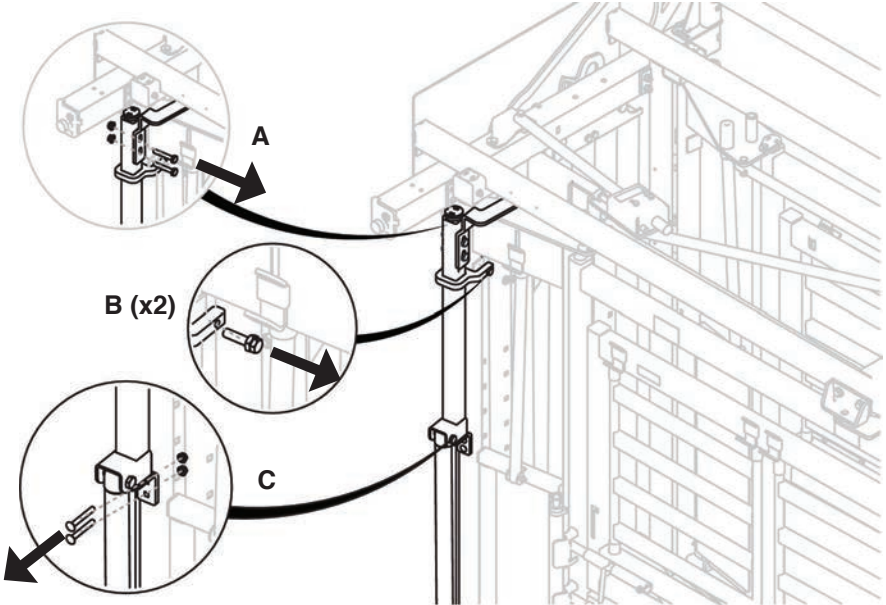
12 Install the Q-Catch Shield.



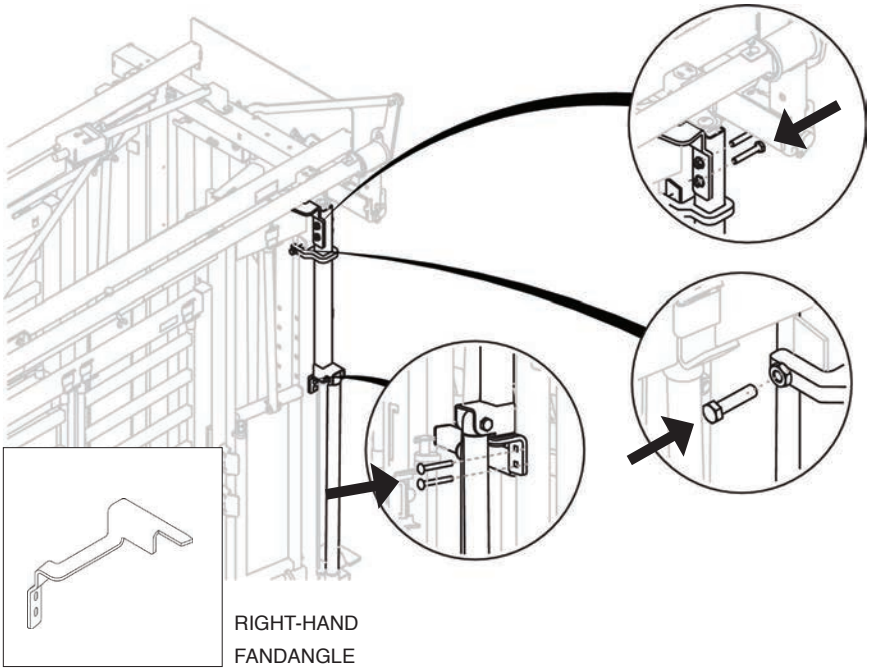
STOP

SQUEEZE THE CHUTE TO REMOVE THE FANDANGLE.

13 Remove the Left-hand fandangle and squeeze bracket.



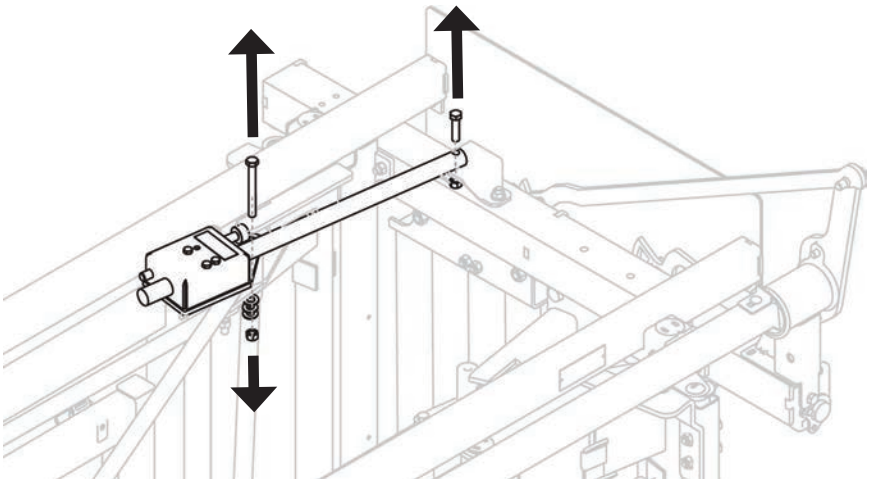
14 Install the squeeze bracket and Right-hand fandangle on the opposite side.



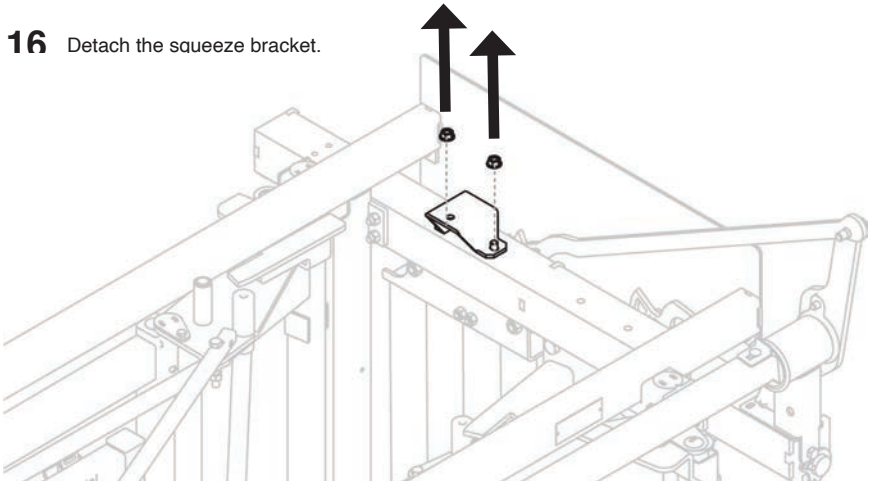
STOP

DO NOT TIGHTEN BOLTS UNTIL STEP 22

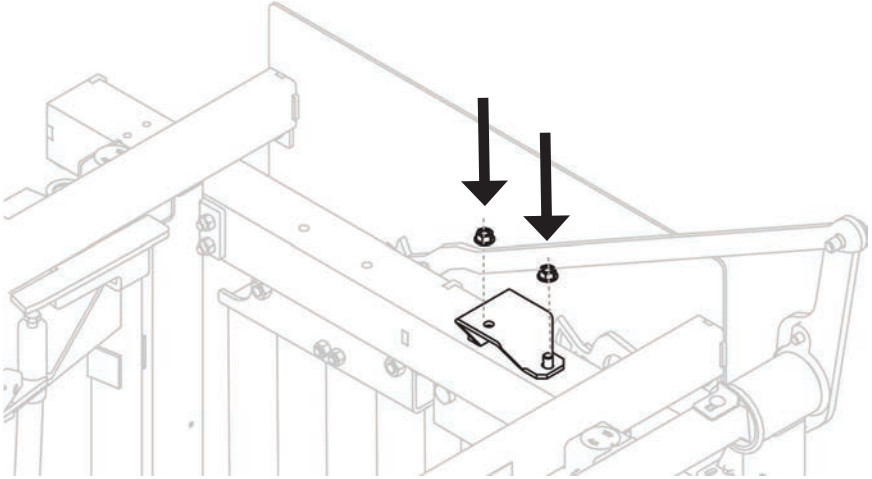
15 Unmount the Left-hand squeeze lockbox. Set aside.



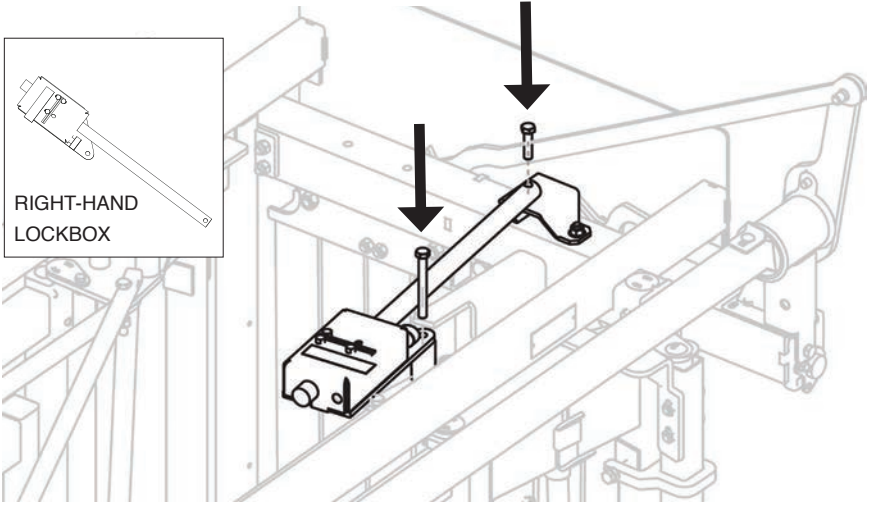
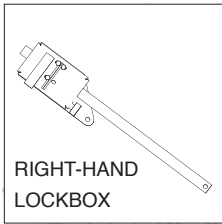
16 Detach the squeeze bracket.



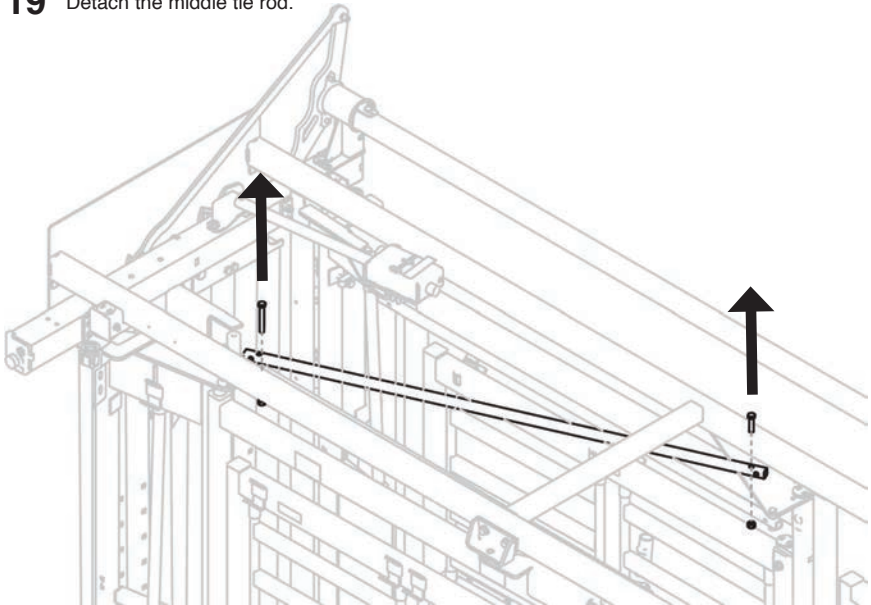
17 Transfer the squeeze bracket to the opposite side.



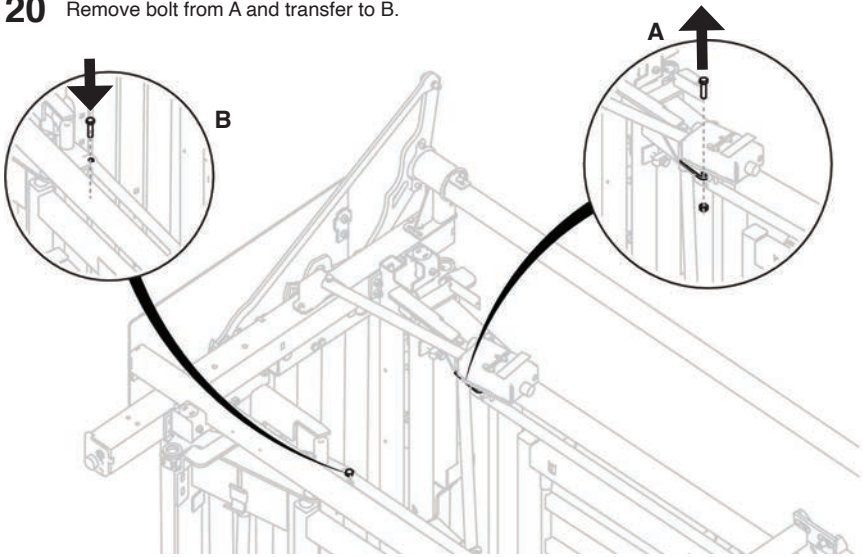
18 Mount the Right-hand squeeze lockbox.



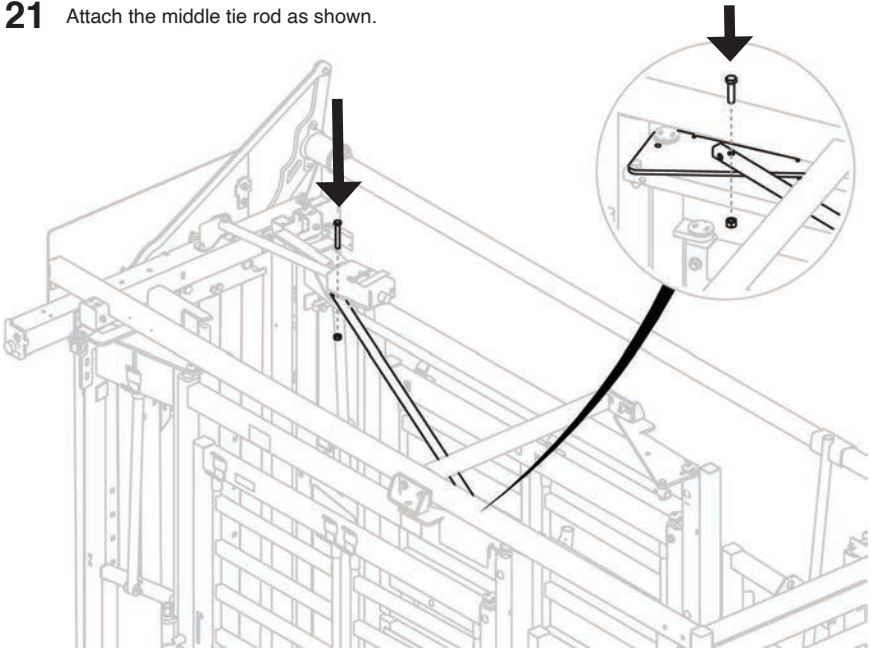
19 Detach the middle tie rod.



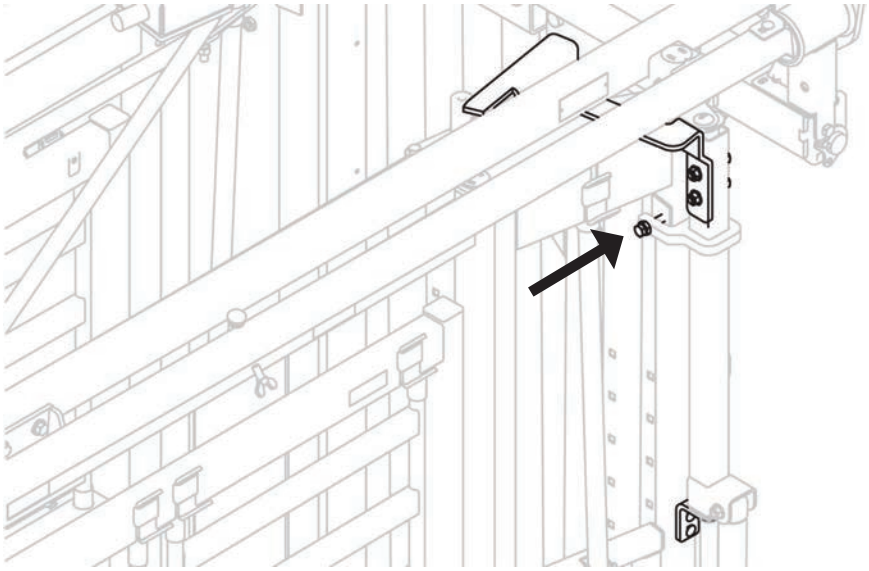
20 Remove bolt from A and transfer to B.



21 Attach the middle tie rod as shown.



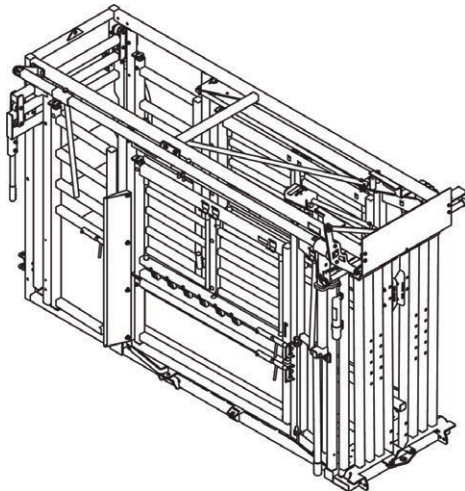
22 Secure bolts on the squeeze bracket and fandangle.



STOP

BEFORE WORKING WITH ANIMALS, SAFETY CHECK:

- ✓ All parts have been reinstalled correctly
- ✓ All chute functions, including the head gate and squeeze mechanisms, are working properly.
- ✓ All bolts are tightened correctly
- ✓ Any bolts securing moving parts should be able to rotate freely



Q-CATCH 74 SERIES ADD-ONS

3rd GENERATION Q-CATCH HEAD HOLDER

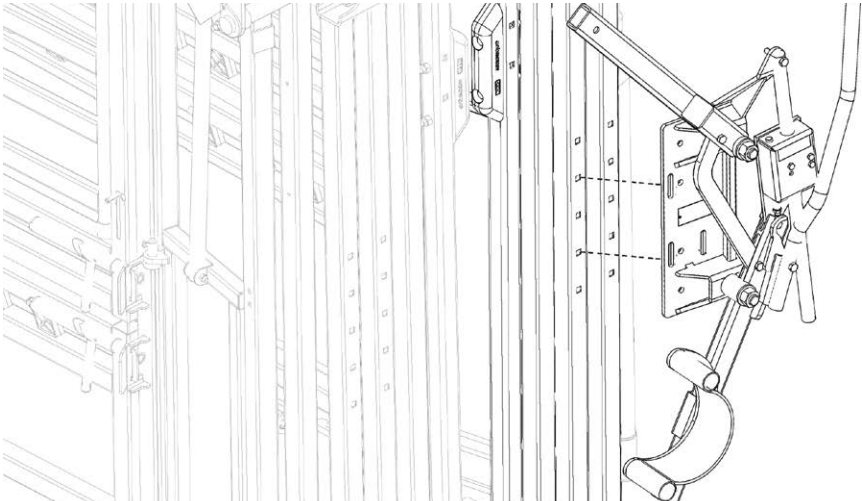
For complete information, read the Head Restraint manual.

Requirements:

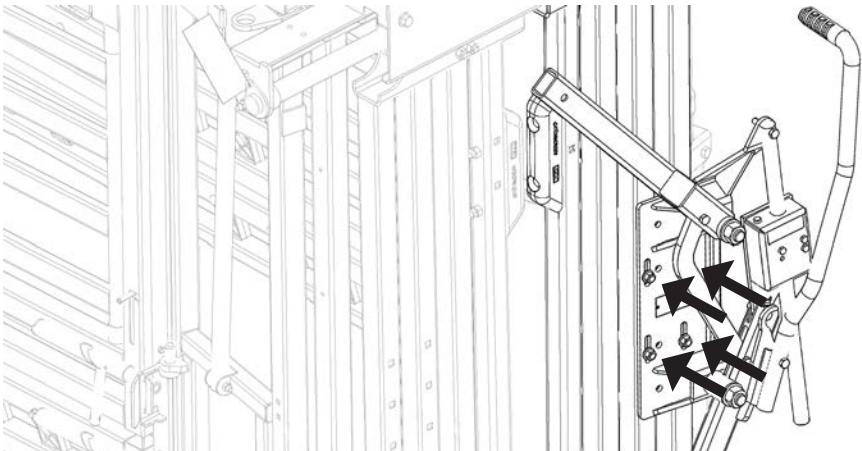
- 2 people
- 3/4" wrench

Installation:

- 1** a. Insert 4x1/2-13x3" carriage bolts through the head gate door from inside the chute.
b. Align the head holder to the slots in the head gate according to your desired height.



- 2** Secure the head holder with 4 bolts.



Safety Precautions:

1. Ensure that the head holder remains open until required to hold the animal's head.
2. If not in use, use detent pin to hold the head holder in place.

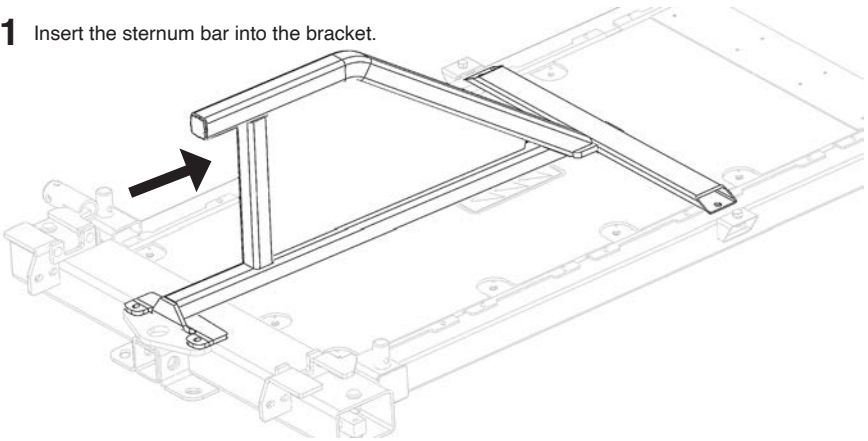
Maintenance:

1. Add grease through the grease nipples **as needed**.
2. Every 6 months:
 - a. Check bolts to ensure they are tightened properly.
 - b. Spray brake cleaner on a rag and wipe the lockbox shaft while opening and closing the head holder.

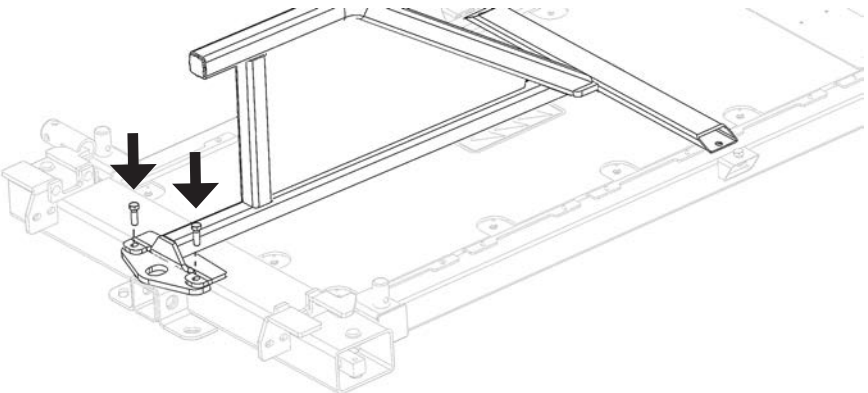
SHEETED STERNUM BAR

Installation:

- 1** Insert the sternum bar into the bracket.



- 2** Fasten bolts to front plate.





SAFETY CHECK:

- ✓ Ensure that the sternum bar is installed correctly before running cattle through the chute.

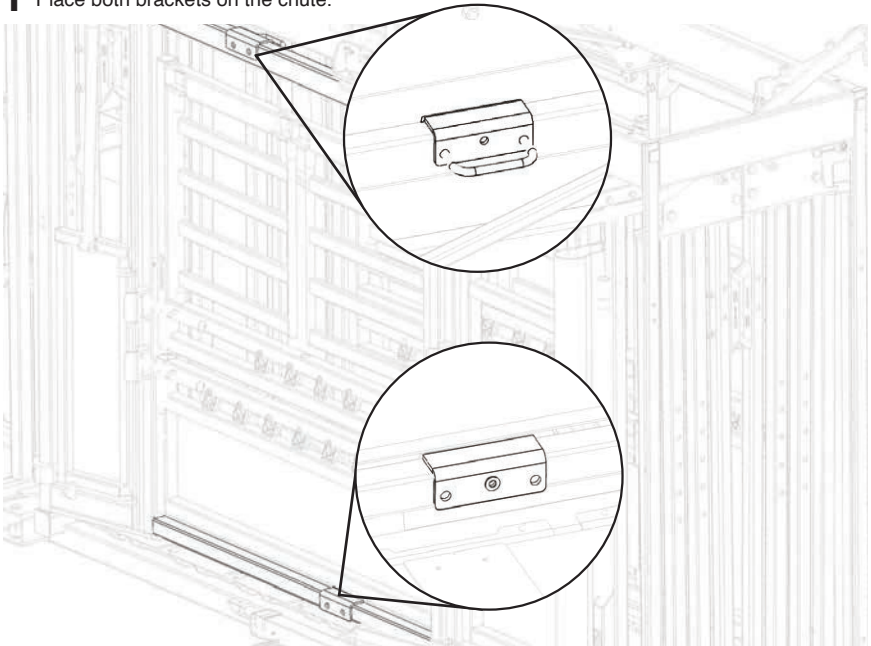
Safety Precautions:

1. Remove the sternum bar when working calves.

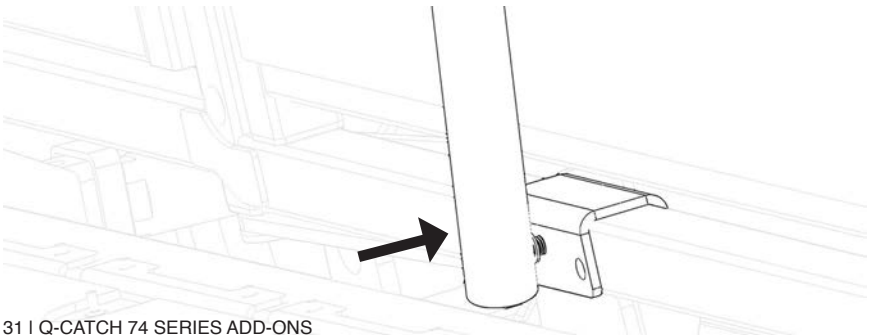
TRIMMING BAR

Installation:

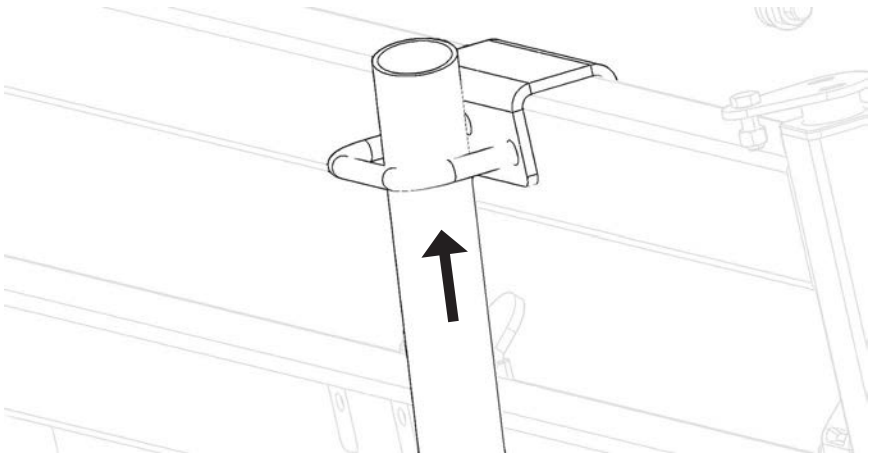
- 1** Place both brackets on the chute.



- 2** Attach the trimming bar to the bottom bracket.



- 3** Insert the trimming bar into the top bracket.



- 4** Adjust trimming bar position to your preference. Tighten bolts to secure.

Safety Precautions:

1. Ensure the trimming bar is installed and secured correctly before running cattle through the chute.

EASY FLOW ALLEY

This section contains:

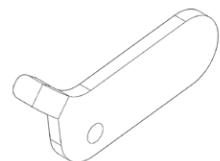
- Adjusting the Easy Flow Alley
- Using the Removable Panels
- Using the Emergency Exit
- Scale Platform Installation
- Rolling Door Switch

ADJUSTING THE EASY FLOW ALLEY



ACTIVATE THE SAFETY LATCH BEFORE PROCEEDING.

Safety latches must be in place when adjusting the width of the alley. Failure to use the safety latches may cause the panels to drop unintentionally, resulting in damage to persons or property.



1. Pull the adjustment cable between the slam latches to release the panel.
2. Adjust the panel to the desired position.
3. Lock the panel into position with slam latches.

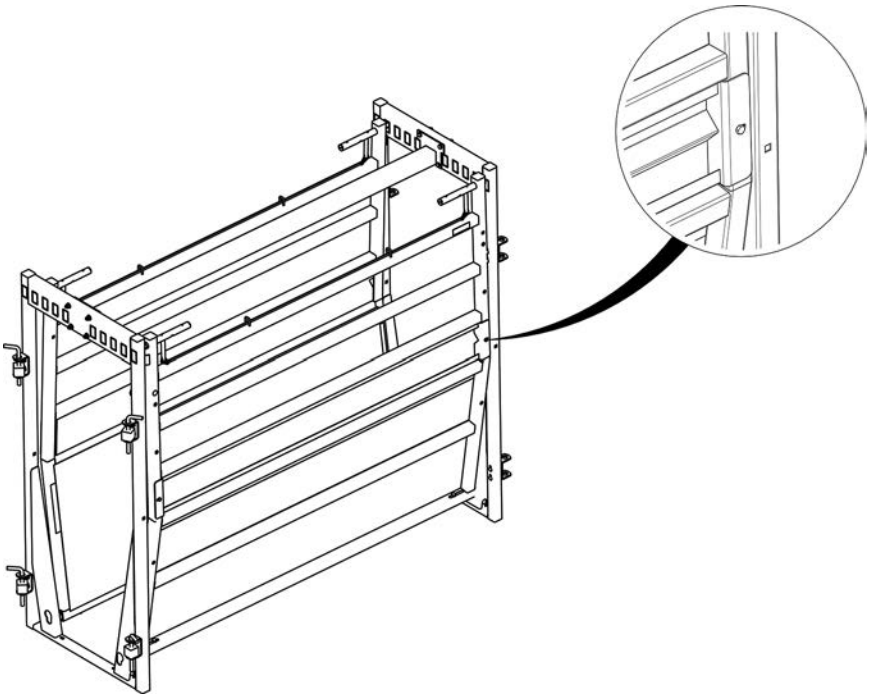


BOTH LATCHES SHOULD BE SECURELY FASTENED IN THE PARALLEL ADJUSTMENT SLOTS BEFORE PROCEEDING.

4. Repeat steps 1-3 to adjust the opposite side.

USING THE REMOVABLE SIDE PANELS

The removable side panels can be configured in multiple positions, allowing you to control what cattle see in the alleyway. Additional panels can be added, as desired.



1. Unscrew bolts on both ends to release the panel.
2. Remove the panel and install in the desired position.

If you do not require high sheeting, or are working with calves, panels can be stored on the side of the alley.

USING THE EMERGENCY EXIT

In the event of a downed animal or other emergency, you can use the emergency exit to release livestock from the alleyway. Exercise caution when releasing livestock, as they may act in unpredictable and/or uncharacteristic ways while distressed.

Watch the emergency exit demo here: youtu.be/4eVA-R1v1bo

Requirements:

- 2 people



DANGER! PANELS ARE VERY HEAVY AND WILL DROP WITH EXCESSIVE PRESSURE WHEN AN ANIMAL IS CONTAINED IN THE ALLEY. FAILURE TO OPERATE THE EMERGENCY EXIT PROPERLY MAY RESULT IN DAMAGE OR INJURY.

1. Ensure all persons and property are out of the way.
2. Tie a minimum 17' long rope on the top bar of the panel.
3. Wrap the rope around the center post on the alley twice.
4. Deactivate the safety latch on the chosen exit side.



TRANSFER TO THE OPPOSITE SIDE OF THE ALLEY BEFORE PROCEEDING. (NON-EXIT SIDE)

5. Release the slam latches on the panel to be lowered.
6. Lower the exit panel to the ground slowly with the rope.
7. Assist the animal to exit the alley and provide care, as necessary.
8. Once the animal is free of the alley, lift the panel back into position and secure the slam latches.
9. Ensure both latches are securely fastened in parallel adjustment slots.



ACTIVATE THE SAFETY LATCH BEFORE PROCEEDING.

10. Remove the rope. It is now safe to continue running cattle through the alley.

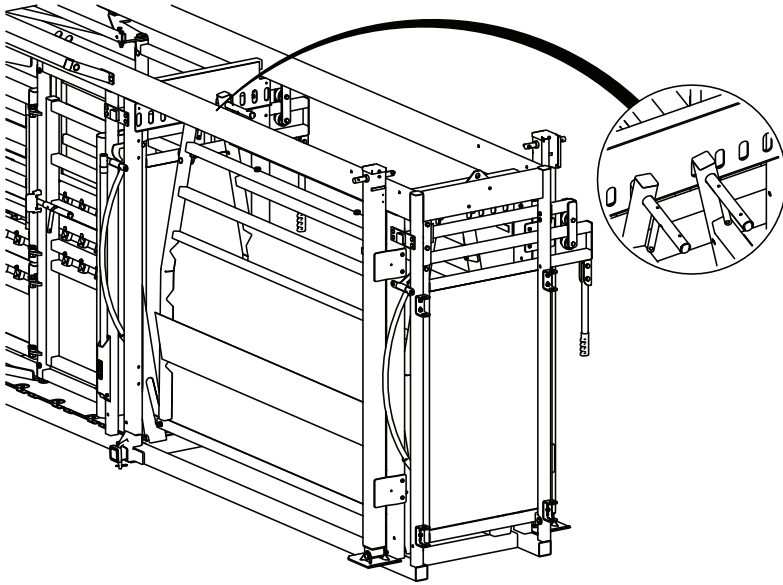
SCALE PLATFORM INSTALLATION

Requirements:

- 2 people

Installation:

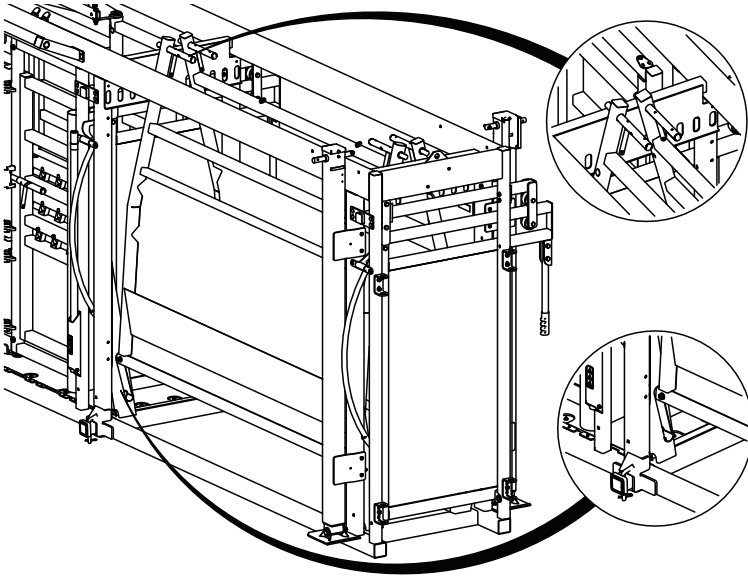
- 1 Adjust the alley width to the narrowest setting.



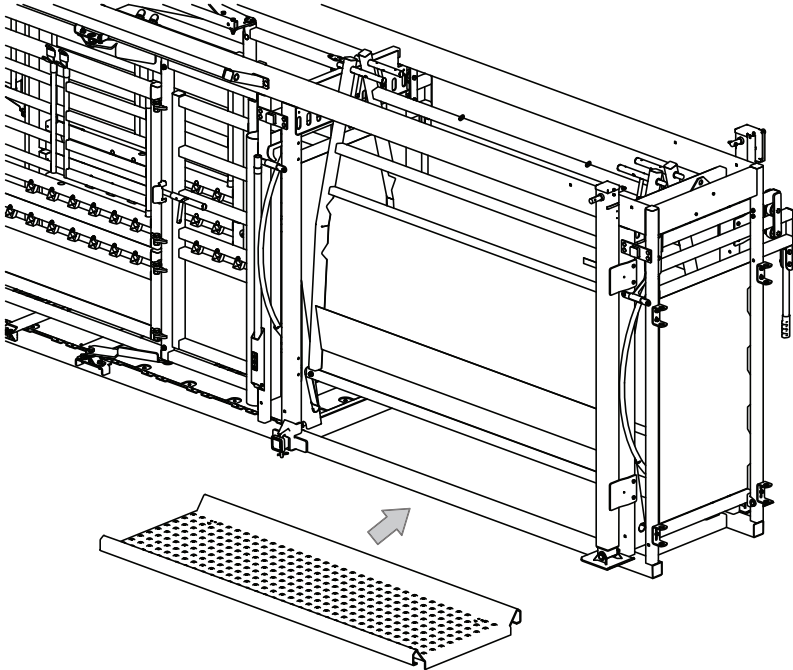
- 2 Lift the side panel and set the latch above the alley bow. Repeat step for the opposite side panel.



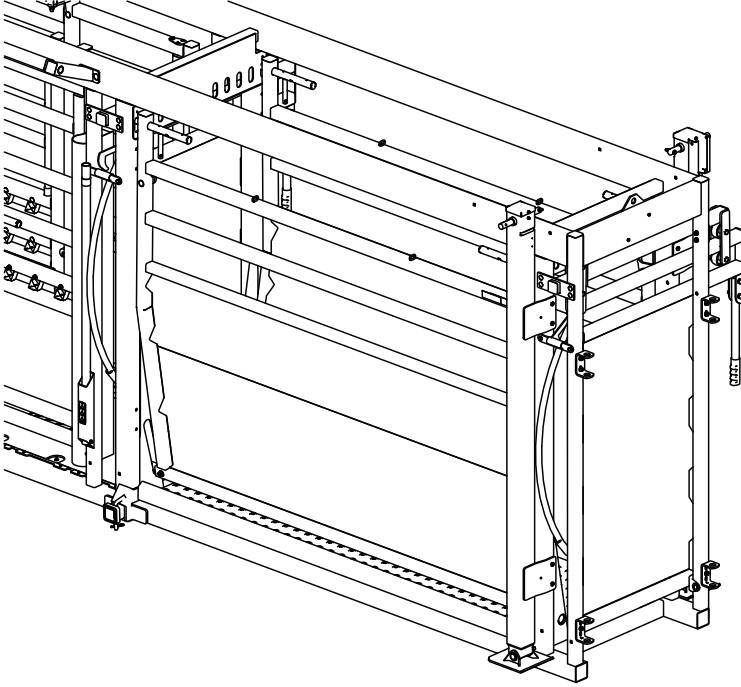
WARNING: THE PANELS ARE VERY HEAVY. YOU WILL NEED AT LEAST 2 PEOPLE TO LIFT EACH PANEL.



3 Slide Scale Platform underneath.



- 4** Lower the side panels back to working position.



Safety Precautions:

1. Please ensure that the scale platform is installed correctly, and side panels are properly latched before running cattle through the unit.

ROLLING DOOR SWITCH

Required Tools:

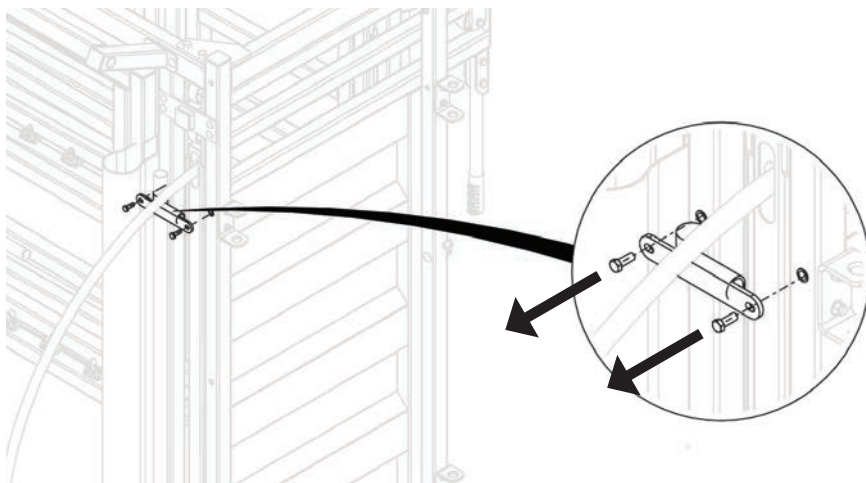
- 9/16" wrench
- 2x 3/4" wrench

LEFT-HAND TO RIGHT-HAND

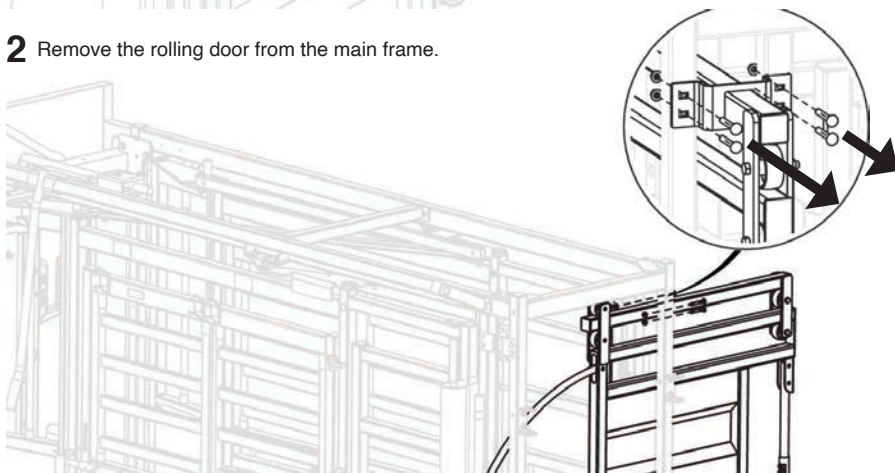
Switching from Left-hand to Right-hand operation shown. For Right-hand to Left-hand operation, complete the steps from the opposite side.

Variation with 4 screws on each plate shown. Same steps apply for rolling doors with 2 screws on each plate.

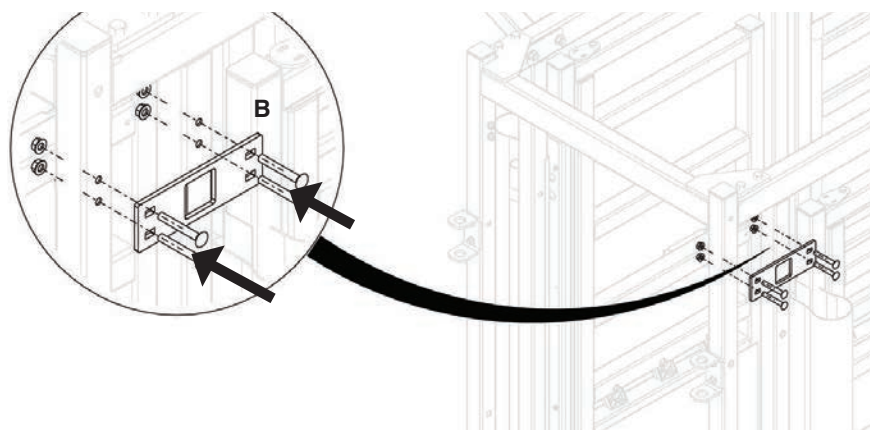
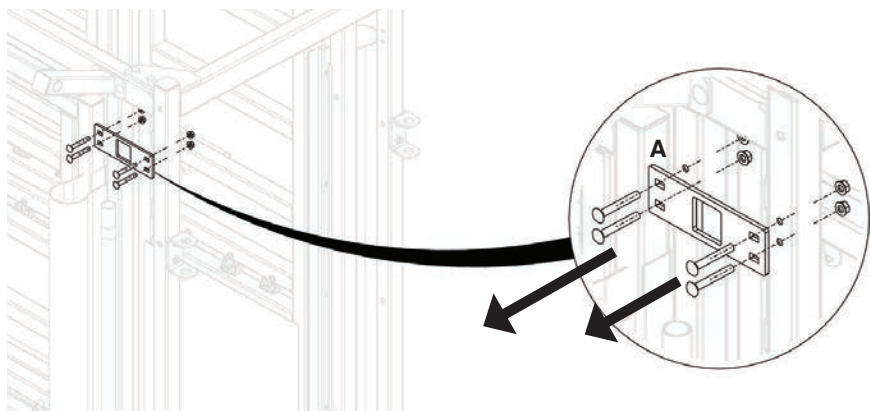
1 Remove rolling door handle slider.



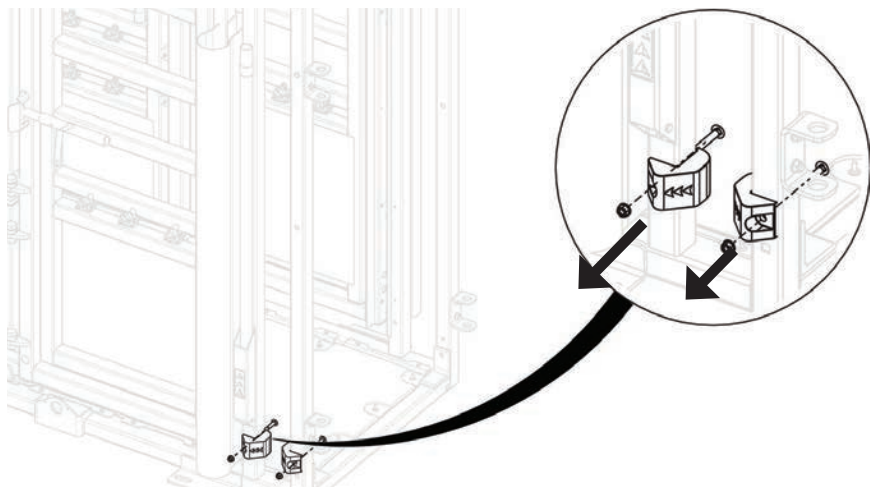
2 Remove the rolling door from the main frame.



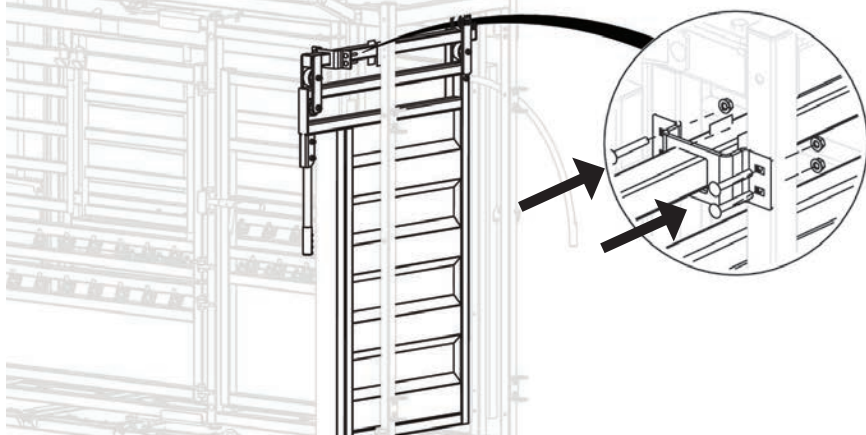
3 Remove the rolling door track plate, and switch to the opposite side.



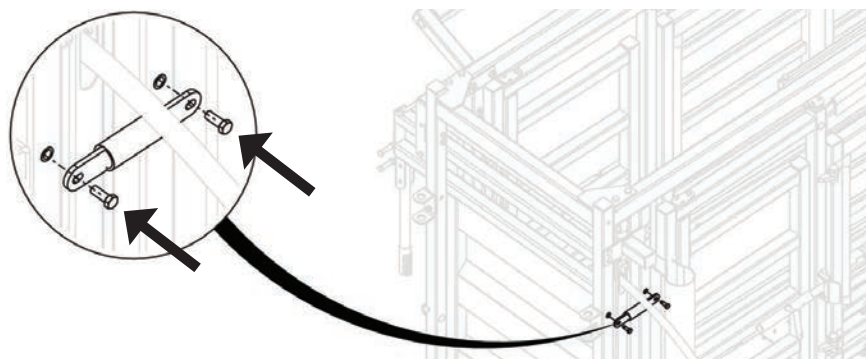
4 Remove the rolling door bumpers and move to the opposite side



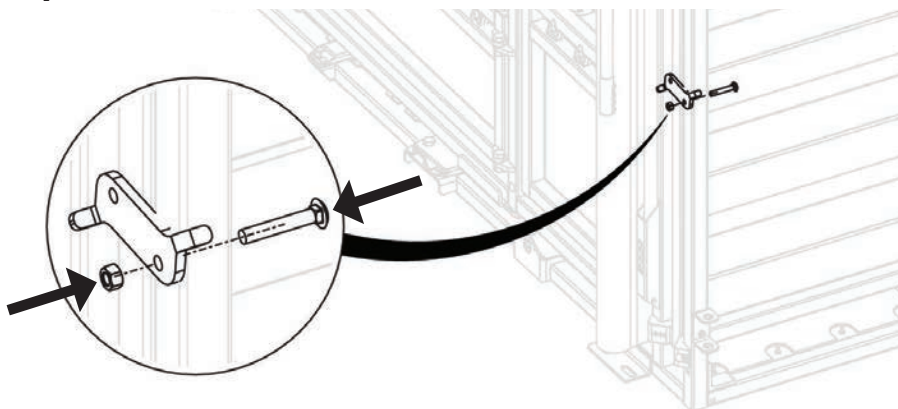
5 Install the rolling door and secure to the main frame.



6 Install the rolling door handle slider on the right-hand side.



7 Remove the rolling door lock and move to the opposite side.



COLLAPSIBLE TUB

This section contains:

- Operating Guidelines
- Using the Crowding Tub

OPERATING GUIDELINES



**WARNING: DO NOT OVERCROWD YOUR CATTLE TUB.
MAXIMUM 3-4 ADULT CATTLE AT A TIME.**

For instructions on how to fold and unfold your cattle tub, go to **[TRANSPORTING THE Q-CATCH 74 SERIES PORTABLE WORKING SYSTEM on PAGE 2]**.

USING THE CROWDING TUB

1. Guide cattle into the tub.
2. If needed, use the swing gate to guide cattle into the alley.

RECOMMENDED MAINTENANCE

This section contains:

- General Equipment Maintenance
- Cattle Chute Maintenance
- Wheel Maintenance

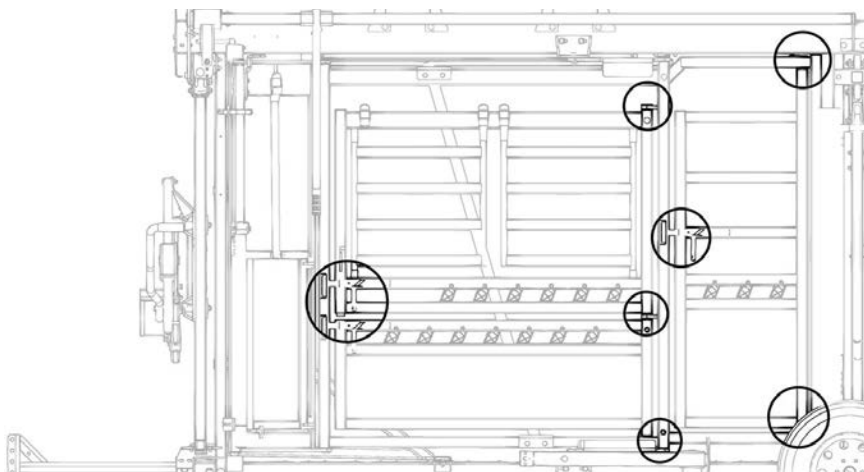
All Arrowquip Products are made with precision parts to require minimal maintenance. However, regular maintenance will keep your equipment running smoothly and safely.

REGULAR MAINTENANCE (EVERY 6 MONTHS)

1. General Maintenance

- ✓ **Inspect the entire unit.** Ensure all moving components are free of debris and functioning properly. Use proper cleaning and troubleshooting steps, if necessary.

- ✓ Lubricate slam latches and door hinges with WD-40 Dry Lube.

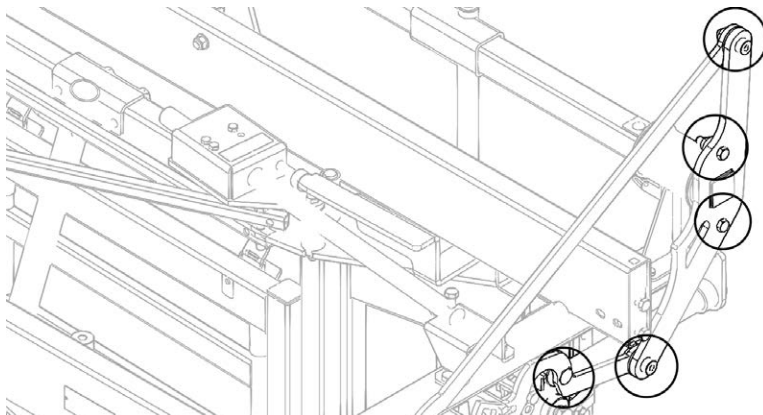


- ✓ Check gate latches and striker plates for wear. Ensure gates are locking securely.

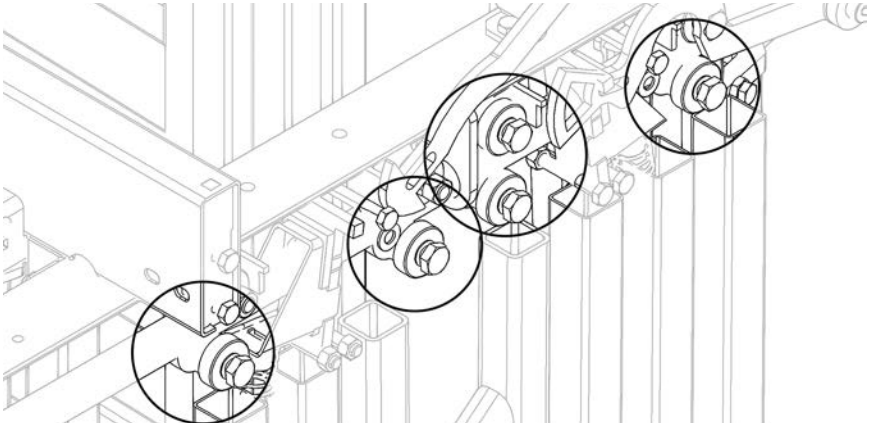
2. Cattle Chute

- ✓ Inspect the head gate.

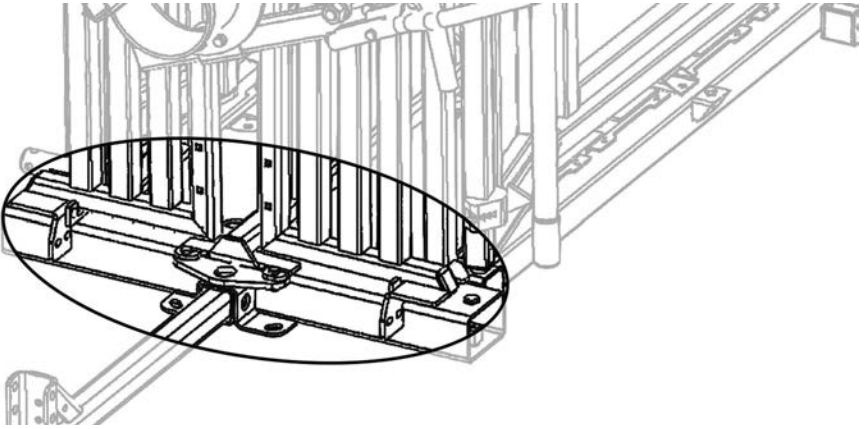
- a. Bolts on the head gate hammers should be tensioned correctly. There should be enough play for the hammers to move freely in their slots.



- b. You should feel the head gate rollers moving when you open the head gate. The rollers should be tight enough to be moved by hand, but not over-tight to cause the rollers to bind.



- ✓ Clean bottom head gate door track to prevent dirt-build-up.



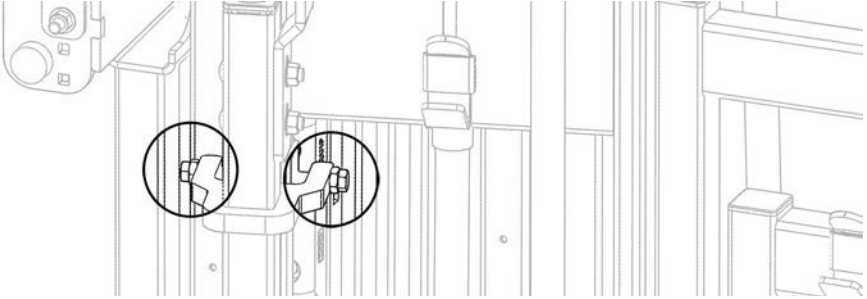
- ✓ Clean the chute floor. Excess build-up of manure or dirt inside chute can cause the squeeze and head gate to malfunction.
- ✓ Check main squeeze pivot bolt for wear.

WHEN NECESSARY

1. Clean the unit to remove excess build-up or dirt.

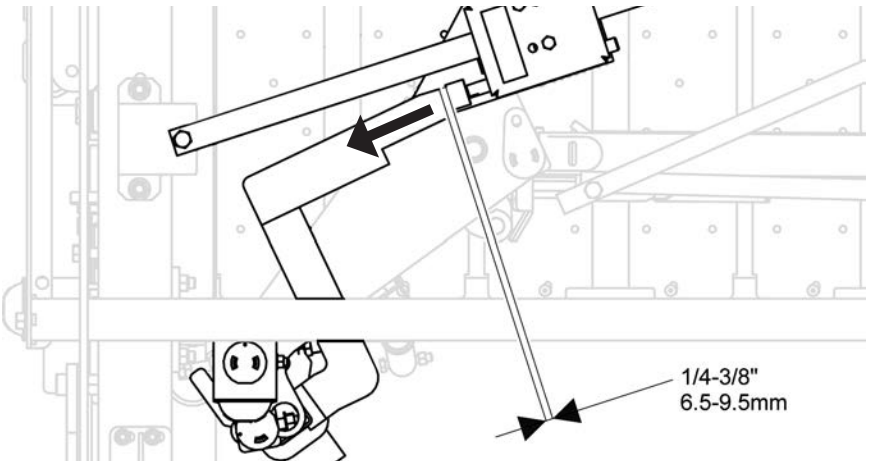
2. Adjust the squeeze lock settings.

- a. Loosen jam nuts, and back out front and rear bolts.

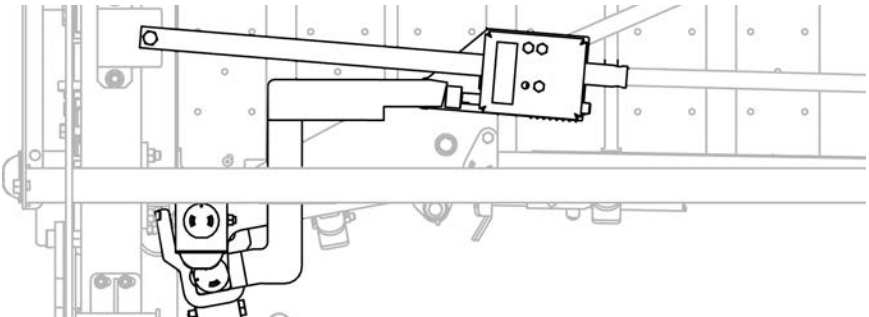


- b. Push/pull the squeeze handle to get a visual of the release pin.

- c. Apply inward pressure on the squeeze handle. Adjust rear bolt until there is 1/4" - 3/8" gap between the fandangle and release pin.



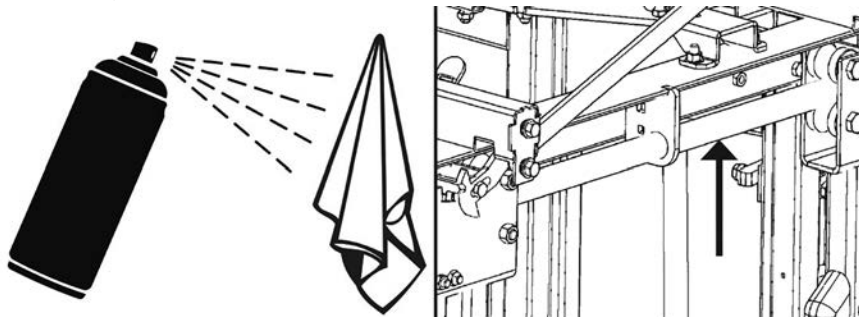
- d. Apply outward pressure on the squeeze handle. Adjust the front bolt until the fandangle presses the lock box release pin 1/4" - 3/8" in towards the lock box, which will release the lock mechanism and allow the squeeze to open fully.



- e. When the adjustment is set, re-tighten jam nuts to lock adjustment in place.
 - Tightening = less push
 - Loosening = more push
 - You will not have to push the release pin very far to enable release.

FRICITION LOCK MAINTENANCE

1. Clean the head gate shaft with brake cleaner.
2. Apply WD-40 Dry Lube sparingly **WITH A CLOTH** to the Head Gate shaft, only when necessary.



3. Use WD-40 Dry Lube only.
 4. Use of other lubricants, including regular WD-40 may cause malfunction or slipping.
- Contact 1-877-275-6075 for assistance.

WHEEL MAINTENANCE

It is extremely important to apply and maintain proper wheel mounting torque on your trailer wheel. Torque is a measure of the amount of tightening applied to a fastener (nut or bolt) and is expressed as length force. For example, a force of 90 pounds applied at the end of a wrench on foot long will yield 90 ft. lbs. of torque. A torque wrench is the best method to assures the proper amount of torque is being applied to a fastener.

Be sure to use only fasteners matched to the cone angle of your wheel – usually 60° or 90°. The proper procedure for attaching your wheels is as follows:

1. Start all bolts or nuts by hand to prevent cross-threading.
2. Tighten bolts or nuts in the sequence shown for wheel torque requirements.
3. The tightening of the fasteners should be done in stages. Following the recommended sequence, tighten fasteners per wheel torque requirements diagram.
4. Wheel nuts/bolts should be torqued before first road use and after each wheel removal. Check and re-torque after the first 10 miles, 25 miles, and again at 50 miles. Check periodically thereafter.

Maximum torque level that can be safely applied to the studs are: Stud Size: .5"-20 UNF, class 2A
Maximum Torque: 120ft. lbs.

TROUBLESHOOTING GUIDE

If you have a problem with your Q-Catch 87 Series Portable Working System, please consider the following tips or call us at 1-877-275-6075.

HEAD GATE

1. Make sure the unit is situated on level ground or base.
2. Make sure head gate door tracks are free of debris.
3. Keep floor clean. Excess build-up of manure or dirt inside chute can cause the squeeze and head gate to malfunction.
4. Ensure bolts on the head gate are tightened correctly.
 - a. Too tight will cause the locking and releasing of head gate doors to malfunction.
 - b. Too loose will cause premature wear on head gate parts.
 - c. On the head gate, there is a short hammer and a long hammer between the handle pivot and doors. These two hammers have a slot in them – check that there is free movement for the bolt to move the entire length of this slot, and the lock nuts are correctly tightened.
 - d. The door hammers also contact the release pins on the lock plates when the head gate handle is pulled back. Ensure there is an air gap between levers and release pins when head gate is being pushed or in an idle position.
5. Check nuts and bolts on all moving parts to ensure that they are tightened correctly, and are not binding.
6. All pivot points should be lubricated as needed with WD-40 Dry Lube.

SQUEEZE CHUTE

1. Check nuts and bolts on items and ensure that they are tightened correctly, and are not binding.
2. All lock boxes and pivot points should be lubricated as needed with WD-40 Dry Lube.

MANUAL JACKS

1. Manual winder is stiff.
 - a. Check that bearings are oiled.
 - b. Check for obstructions.
 - i. Inspect moving components of the jacks, to ensure nothing is damaged or obstructing normal operation.
2. Manual winder is locked solid.
 - a. Check that bearings are not seized.

RECOMMENDED USE

3500 head of cattle per year.

Follow the recommended use instructions to maximize the lifespan of your equipment. Arrowquip products that have only been used within acceptable tolerance following the stated recommended use will be eligible to claim warranty.

WARRANTY

Your product must be registered to claim warranty, and to ensure that Arrowquip has the required information to contact you in the event of a product or part recall. Any owner who fails to register their product warranty with Arrowquip through their Authorized Arrowquip Dealer voluntarily voids their warranty. Arrowquip will repair or replace products or parts of a product that prove defective due to manufacturer defect during the Warranty Period, at their sole discretion. This excludes defects resulting from normal wear and tear or product misuse. Warranty does not cover corrosion. NOTE: Any modification, in any fashion, to any Arrowquip equipment immediately voids the product warranty. This includes the parts contained therein.

Eg. If a modification is made to the squeeze mechanism in a squeeze chute, and the sternum bar is bent afterwards, warranty for the damaged part, the sternum bar, contained in the modified equipment, the squeeze chute, is void. In addition, any remaining warranty for the squeeze chute and other parts contained therein, including, but not limited to, the head gate, locking system, Q-Catch system, and rollers, is null and void.

REGISTER FOR WARRANTY NOW:

Online: arrowquip.com/product-registration

Phone: 1-877-275-6075 | **Email:** cs@arrowquip.com



ARROWQUIP

If you have any questions regarding your product or require assistance, please contact Arrowquip's Client Care Team at 1-877-275-6075 or by email at cs@arrowquip.com.