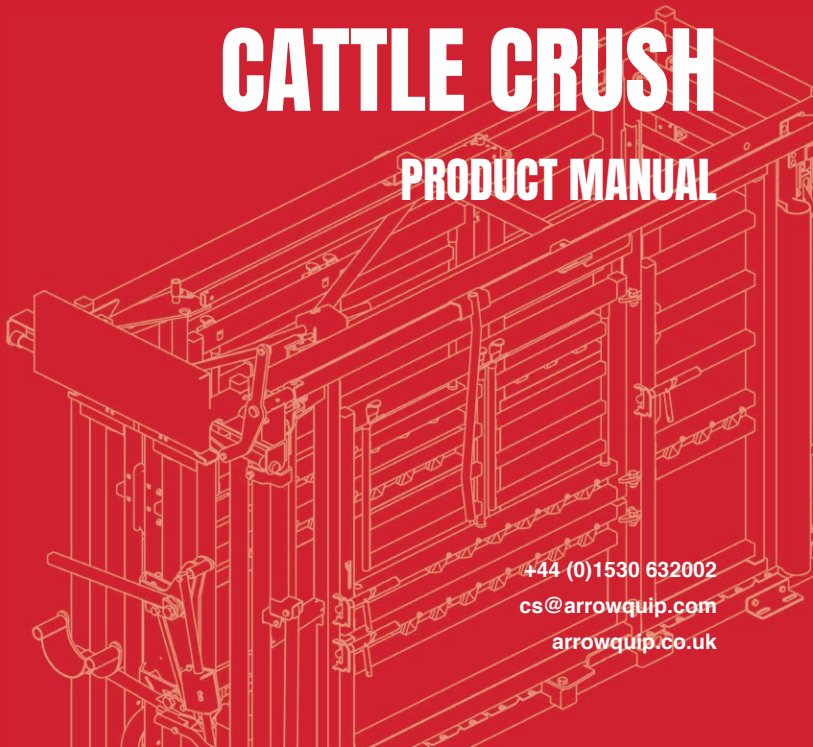




ARROWQUIP

Q-CATCH 86 SERIES CATTLE CRUSH

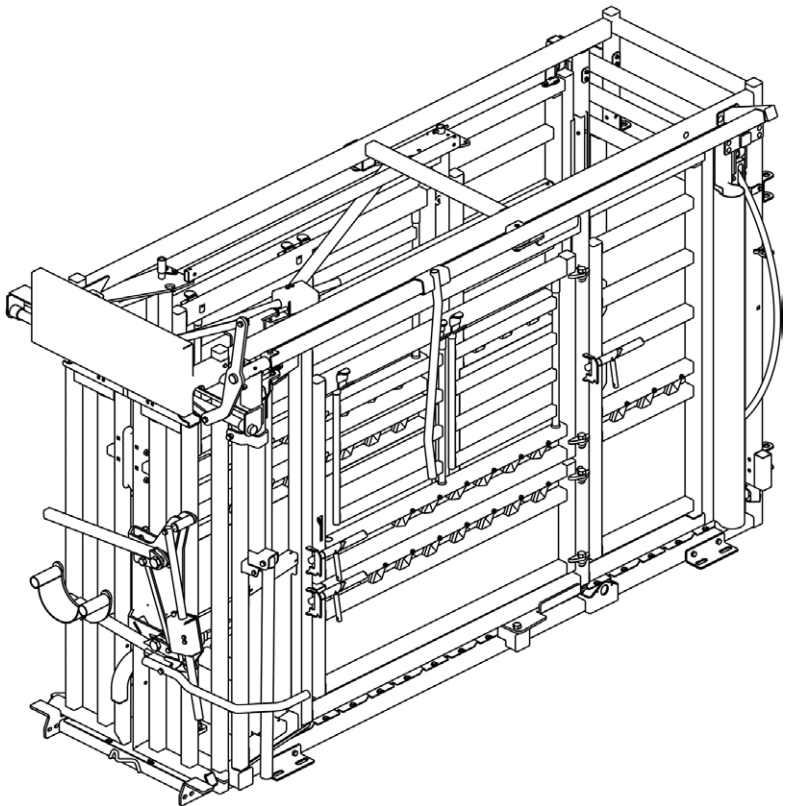
PRODUCT MANUAL



+44 (0)1530 632002
cs@arrowquip.com
arrowquip.co.uk

CONTENTS

Safety Precautions	1
Risk Assessment	2
Q-Catch 86 Series Yoke Gate Assembly	3
Operating the Yoke Gate	4
Emergency Yoke Gate Release	4
Recommended Maintenance	5
Troubleshooting Guide	6
Warranty	7
Q-Catch 86 Series Options	7



PLEASE FOLLOW ALL SAFETY INSTRUCTIONS PROVIDED IN THIS MANUAL BEFORE OPERATION. ARROWQUIP DOES NOT ACCEPT RESPONSIBILITY FOR ANY ACCIDENTS OR INJURY WHEN THIS SAFETY MANUAL HAS NOT BEEN READ IN FULL AND KEPT WITH THE PRODUCT AT ALL TIMES. OPERATORS OF THIS PRODUCT TAKE AND ACCEPT RESPONSIBILITY FOR ANY HARM OR INJURY TO THE ANIMAL OR OPERATOR WHEN IT PERTAINS TO HOW THE EQUIPMENT IS USED AND MAINTAINED.

Please keep this manual for frequent reference and to pass on to new users or owners.

SAFETY PRECAUTIONS

PLEASE FOLLOW ALL SAFETY PRECAUTIONS OUTLINED HEREIN. ANY HARM TO THE ANIMAL OR INJURY TO THE OPERATOR WHICH OCCURS DUE TO HOW THE PRODUCT IS OPERATED, OR RESULTING FROM A LACK OF SAFETY PRECAUTIONS ARE THE SOLE RESPONSIBILITY OF THE OPERATOR.

All farm machinery and equipment is potentially dangerous. Careless use of any Arrowquip livestock equipment may cause injury or damage to persons, cattle, or property. Arrowquip has taken precautions in the design and manufacturing of this product to ensure that it is safe and user-friendly. Therefore, user must assume all responsibility and risk associated with the possession and use of the cattle crush.



WARNING: READ BELOW BEFORE OPERATION.

Ensure the operator understands the contents of this manual before using the cattle crush.

1. Do not wear loose-fitted clothing.
2. Ensure the cattle crush is on a firm, level, dry surface that is free of rocks and other trip hazards. A level concrete pad flush with the ground and with the crush bolted to the concrete is strongly recommended.
3. Do not enter the vet cage until the animal is secured in the yoke gate and the rump bar has been placed so that the cow cannot back up.
4. Do not stand in front of the yoke gate while operator is moving the cattle through the crush.

5. DO NOT ALLOW CHILDREN UNDER THE AGE OF 18 NEAR AN OPERATING MACHINE.
6. Follow safe cattle handling procedures in other areas of the yard so that cattle are more docile in the crush.
7. Do not make any modifications to Arrowquip equipment. Non-factory modifications to the equipment can reduce the safety for the operator and livestock.

RISK ASSESSMENT

Conduct a risk assessment on procedures for which the cattle crush used and establish a safe work procedure.

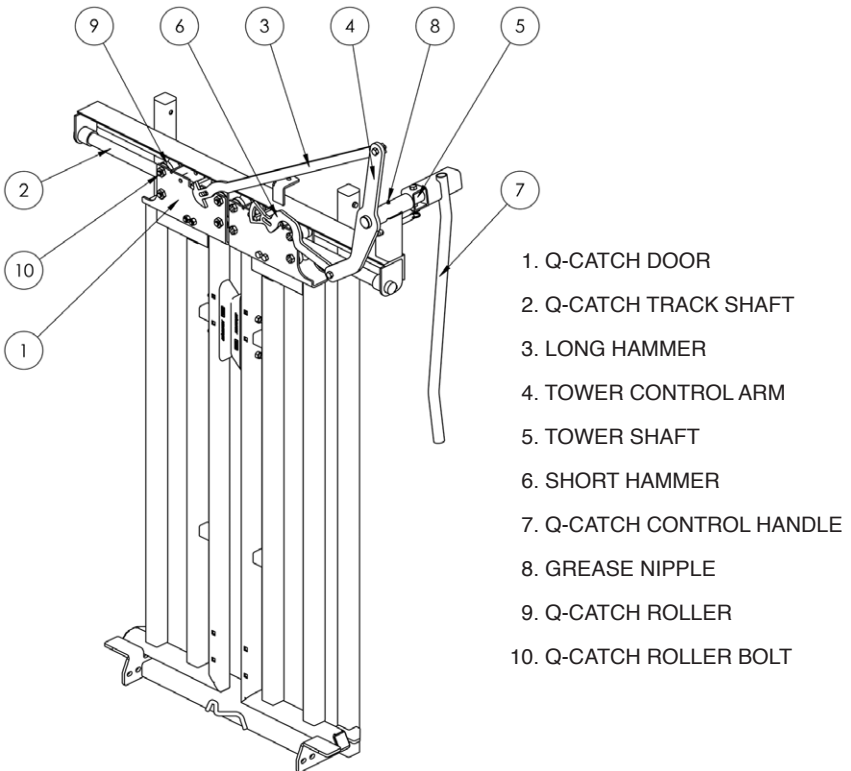
1. Ensure all users of the equipment have been inducted and comply with safe working procedure.
2. Please ensure that there are NO large or hazardous objects inside the crush that may cause injury to the animal or operator, or may cause the equipment to malfunction.
3. Make sure that your crush has been cleared of ALL livestock after use.
4. Some chemicals and medicines can damage powder coat. Take all precautions and wash after use.

Q-CATCH 86 SERIES YOKE GATE ASSEMBLY

Your crush will come with the yoke gate fully assembled and ready for use. However, if you need to disassemble your yoke gate for any reason, the following guide will help you to properly reassemble your crush.

ASSEMBLING THE Q-CATCH MECHANISM

Fit the mechanism parts as shown in the diagram below.



OPERATING THE YOKE GATE

REMEMBER SAFETY WHEN OPERATING THE YOKE GATE

1. Ensure all gates and the yoke gate are closed before the animal enters the crush.
2. Open rear gate for the animal to enter the crush enclosure.
3. Close rear gate.
4. Open yoke gate slightly more than the neck size of the animal to tempt the animal to stick its head through the yoke gate. When neck of animal is in the correct position, quickly close the yoke gate securely on the animal's neck.
5. If required, side squeeze animal and engage head restraint to restrain further movement.
6. If the animal applies excessive pulling pressure on yoke gate, it is recommended to use the anti-backing bar behind cattle rump.
7. Confirm animal is securely held before carrying out any husbandry work.

EMERGENCY YOKE GATE RELEASE

Arrowquip cattle crushes are designed to ensure the safety of both animal and operator. **With proper maintenance and regular lubrication, the yoke gate will not lock.** However, in the rare event that an animal becomes stuck in the yoke gate, the following guidelines will ensure you are able to release your animal quickly and safely.

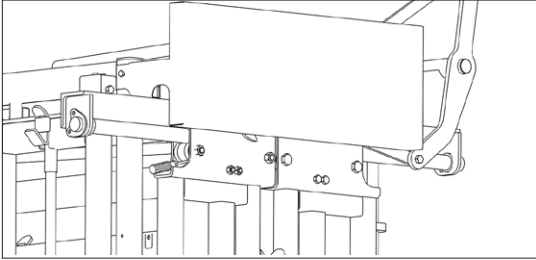
REQUIRED TOOLS

- Screw Driver/Pry Bar

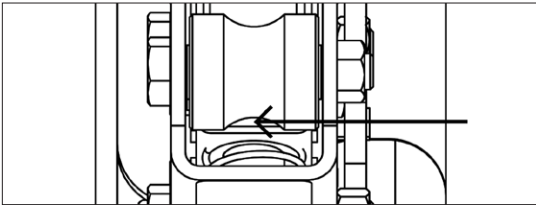
STEPS TO RELEASE LOCK

1. Go to the offside of the crush, to ensure you will not be hit by the yoke gate handle.
 - a. If your crush is designed for offside operation, you will need to go to the nearside of the crush.

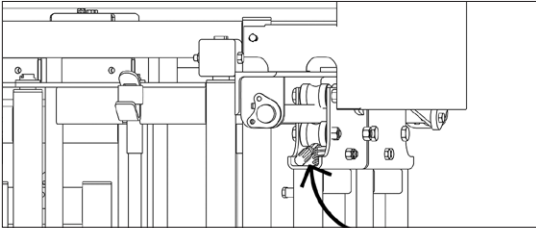
2. Place screw driver/pry bar under bottom yoke gate roller on the outer edge of the door.
 - a. This is the side with the “L” curve, not the straight side.



3. Insert screw driver/pry bar into the small space above the spring in the yoke gate lock plate.



4. Tilt the screwdriver/pry bar up and into the yoke gate roller. This will push down the spring, releasing the locking mechanism on the yoke gate door.



RECOMMENDED MAINTENANCE

Arrowquip cattle crushes are made with precision parts and require little maintenance as a result. However, regular maintenance is required to keep your crush running smoothly and safely.

1. Keep grease nipple on main control handle greased.
2. Lubricate slam latches, lube bolts, door hinges regularly with WD-40 Dry Lube. Recommended every six months, minimum.
3. Clean bottom yoke gate door track to prevent dirt build-up.

4. Check mechanism pivot bolts for wear and lubricate or replace, as necessary.
5. Clean and lubricate main locking shaft doors as needed.
6. Inspect for signs of mechanical damage regularly, specifically to gate latches and striker plates, and ensure gates are locking securely.

TROUBLESHOOTING GUIDE

If you have a problem with your Q-Catch 86 Series cattle crush, please consider the following tips or call us at +44 (0) 1530 632002.

1. Make sure the yoke gate and crush are situated on level ground or base.
2. If yoke gate has minimal use over extended periods, this may cause yoke gate doors to become stiff to operate and/or difficult to release. This can be easily fixed by lubrication of the rollers and the Q-Catch track shaft with WD-40 Dry Lube. To lubricate the Q-Catch track shaft, wipe shaft with a rag sprayed with WD-40 Dry Lube. You will need to do this while yoke gate doors are closed, and again with the doors open to ensure that the entire shaft is properly lubricated. Additionally, it is recommended that you spray lubricant directly onto each of the four Q-Catch rollers on both yoke gate doors, and open and close the yoke gate a few times to work the lubricant in.
3. Make sure yoke gate door tracks are free of debris.
4. Keep floors clean. Excess build-up of manure or dirt inside crush can cause the squeeze and yoke gate to malfunction.
5. Check for wear of the Q-Catch track shaft. Severe wear may cause friction lock to malfunction.
6. Ensure bolts on the yoke gate are tightened correctly.
 - a. Too tight will cause the locking and releasing of yoke gate doors to malfunction.
 - b. Too loose will cause premature wear on yoke gate parts.
 - c. On the yoke gate, there is a short hammer and a long hammer between the handle pivot and doors. These two hammers have a slot in them – check that there is free movement for the bolt to move the entire length of this slot, and the lock nuts are correctly tightened.
 - d. The door hammers also contact the release pins on the lock plates when the yoke gate handle is pulled back. Ensure there is an air gap between levers and release pins when yoke gate is being pushed or in an idle position.
7. Check nuts and bolts on items and ensure that they are tightened correctly.

WARRANTY

Your product must be registered to claim warranty, and to ensure that Arrowquip has the required information to contact you in the event of a product or part recall. Any owner who fails to register their product warranty with Arrowquip through their Authorised Arrowquip Dealer voluntarily voids their warranty. Arrowquip will repair or replace products or parts of a product that prove defective due to manufacturer defect during the Warranty Period, at their sole discretion. This excludes defects resulting from normal wear and tear or product misuse. NOTE: Any modification, in any fashion, to any Arrowquip equipment immediately voids the product warranty. This includes the parts contained therein.

E.g. If a modification is made to the squeeze mechanism in a cattle crush, and the sternum bar is bent afterwards, warranty for the damaged part, the sternum bar, contained in the modified equipment, the cattle crush, is void. In addition, any remaining warranty for the cattle crush and other parts contained therein, including, but not limited to, the yoke gate, locking system, Q-Catch system, and rollers, is null and void.

REGISTER FOR WARRANTY NOW:

Online: arrowquip.co.uk/product-registration

Phone: +44 (0)1530 632002 | **Email:** cs@arrowquip.com

Q-CATCH 86 SERIES OPTIONS

Q-CATCH HEAD HOLDER

A simple yet highly effective addition, the head holder is a sturdy mechanism that clamps around the animal's neck and holds the head immobile to allow the handler up-close access to the animal safely.

Installation:

1. Rest head holder on the bottom 1.5" spacer on working side of yoke gate.
2. Install .5" x 3.5" bolts through face of head holder and install large washers on back of yoke gate doors, then tighten bolts.

Safety Precautions:

1. Ensure that the head holder remains open until required to hold the animal's head.

STERNUM BAR

The purpose of the sternum bar is to keep the cattle from going down in the crush. The sternum bar can be easily installed and removed with a single bolt.

Installation:

1. Insert long sternum bar tube into rear bracket on floor of crush.
2. Insert short sternum bar support into long sternum bar tube receiver, and insert bottom shoe plate into front bracket on the floor of crush.
3. Tighten all jam bolts.

Safety Precautions:

1. Please ensure that the Sternum Bar is installed correctly before running cattle through the crush.



ARROWQUIP

If you have any questions regarding your product or require assistance, please contact Arrowquip's Client Care Team at 1-877-275-6075 or by email at cs@arrowquip.com.