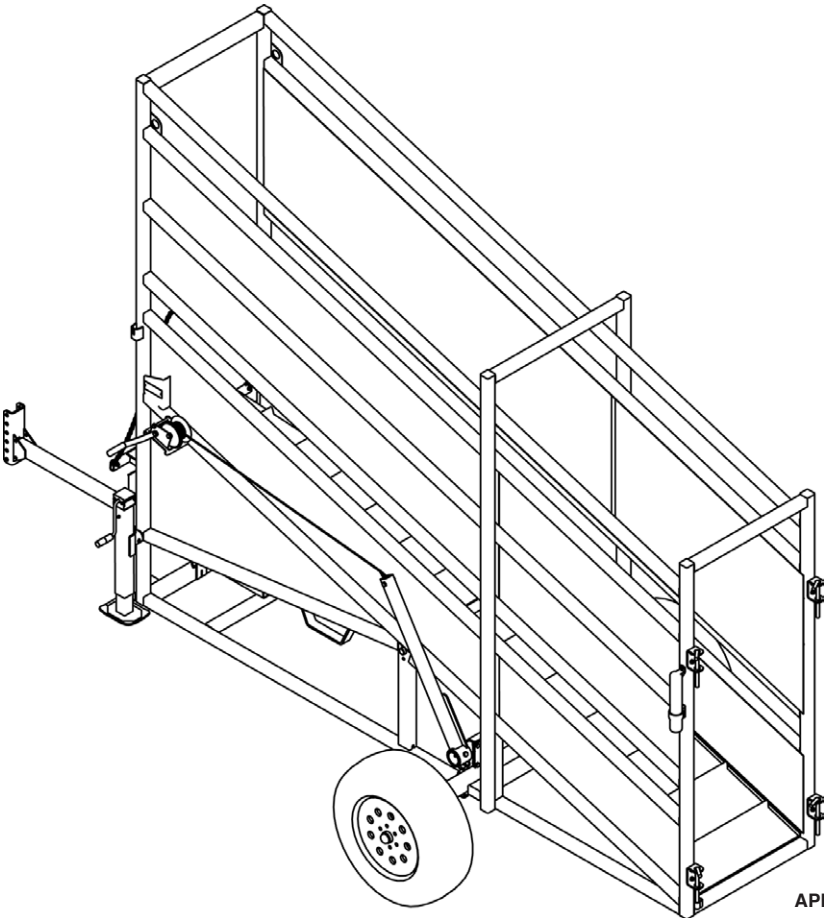




ARROWQUIP

PRODUCT MANUAL

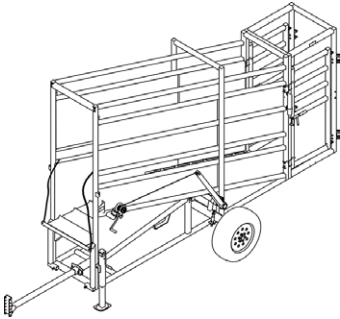
LOADING RAMP



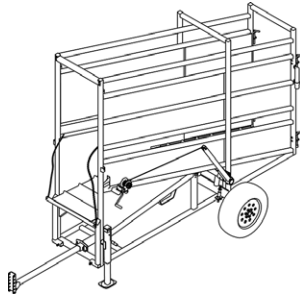
APRIL 2021

1-877-275-6075 | cs@arrowquip.com
arrowquip.com

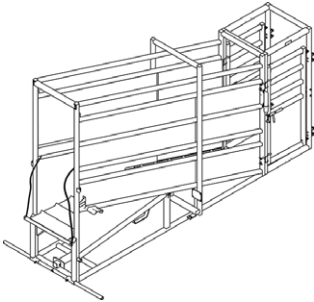
THIS PRODUCT MANUAL IS FOR THE FOLLOWING PRODUCTS:



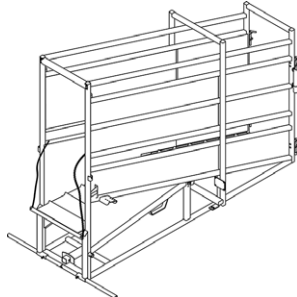
Portable Loading Ramp with Vet Cage



Portable Loading Ramp



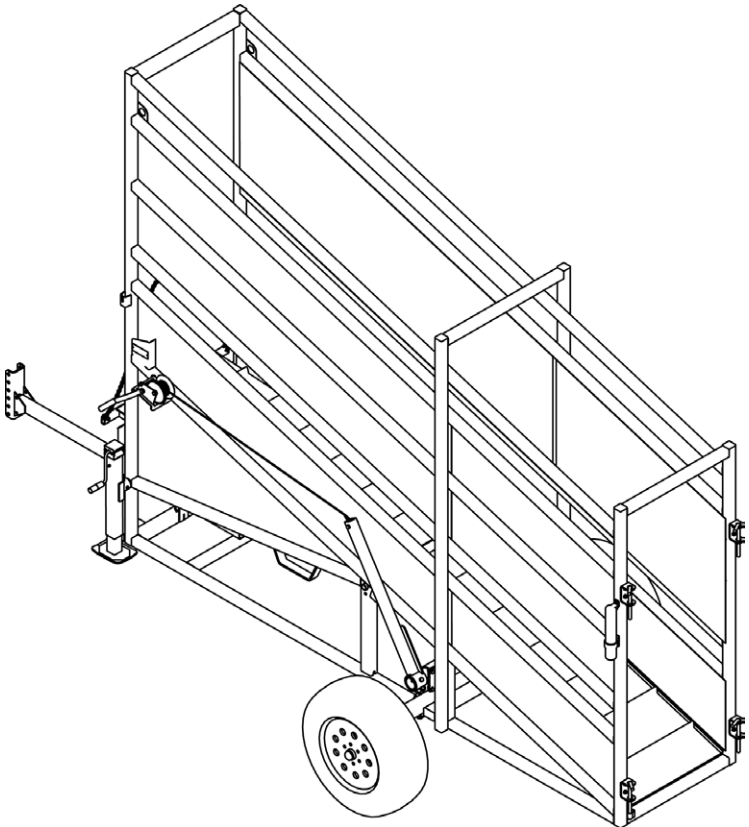
Stationary Loading Ramp with Vet Cage



Stationary Loading Ramp

CONTENTS

Safety Precautions	1
Risk Assessment	2
Installing the Stabilizer Bar on the Stationary Loading Ramp	2
Portable Loading Ramp Transportation Instructions	2
Portable Loading Ramp Wheel Installation	9
Before Installing	9
Packing List	9
Vet Cage Installation	14
Recommended Maintenance	15
Wheel Maintenance	15
Warranty	16



PLEASE FOLLOW ALL SAFETY INSTRUCTIONS PROVIDED IN THIS MANUAL BEFORE OPERATION. ARROWQUIP DOES NOT ACCEPT RESPONSIBILITY FOR ANY ACCIDENTS OR INJURY WHEN THIS SAFETY MANUAL HAS NOT BEEN READ IN FULL AND KEPT WITH THE PRODUCT AT ALL TIMES. OPERATORS OF THIS PRODUCT TAKE AND ACCEPT RESPONSIBILITY FOR ANY HARM OR INJURY TO THE ANIMAL OR OPERATOR WHEN IT PERTAINS TO HOW THE EQUIPMENT IS USED AND MAINTAINED.

Please keep this manual for frequent reference and to pass on to new users or owners.

SAFETY PRECAUTIONS

PLEASE FOLLOW ALL SAFETY PRECAUTIONS OUTLINED HEREIN. ANY HARM TO THE ANIMAL OR INJURY TO THE OPERATOR WHICH OCCURS DUE TO HOW THE PRODUCT IS OPERATED, OR RESULTING FROM A LACK OF SAFETY PRECAUTIONS ARE THE SOLE RESPONSIBILITY OF THE OPERATOR.

All farm machinery and equipment is potentially dangerous. Careless use of any Arrowquip livestock equipment may cause injury or damage to persons, cattle, or property. Arrowquip has taken precautions in the design and manufacturing of this product to ensure that it is safe and user-friendly. Therefore, user must assume all responsibility and risk associated with the possession and use of the equipment.



WARNING: READ BELOW BEFORE OPERATION.

1. Ensure the operator understands the contents of this manual before using the equipment.
2. **DO NOT** wear loose-fitted clothing.
3. Ensure the equipment is on a firm, level, dry surface that is free of rocks and other trip hazards.
4. **DO NOT ALLOW CHILDREN UNDER THE AGE OF 18 NEAR AN OPERATING MACHINE.**
5. Follow safe cattle handling procedures in other areas of the yard so that cattle are more docile.
6. **DO NOT** make any modifications to Arrowquip equipment. Non-factory modifications to the equipment can reduce the safety for the operator and livestock.

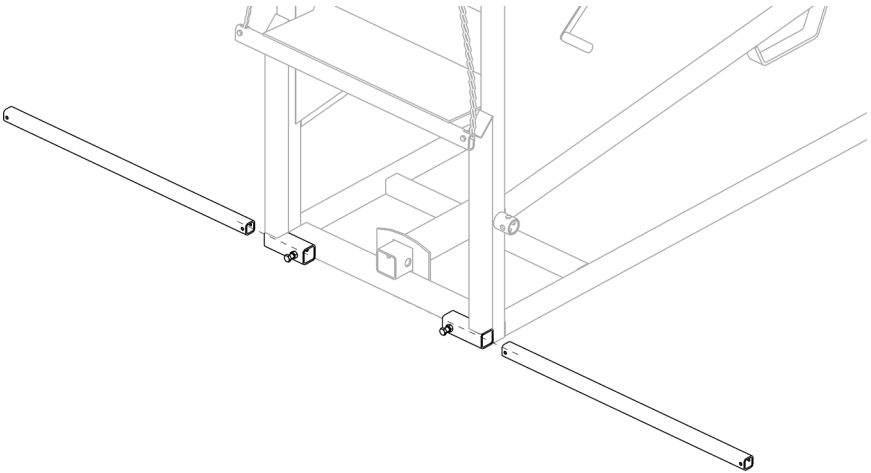
RISK ASSESSMENT

Conduct a risk assessment on procedures for which the equipment is used and establish a safe work procedure.

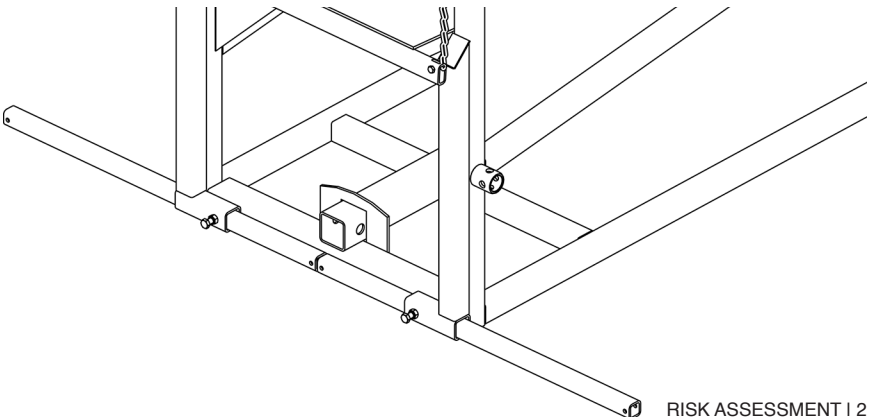
1. Ensure all users of the equipment have been inducted and comply with safe working procedure.
2. Please ensure that there are NO large or hazardous objects inside the equipment that may cause injury to the animal or operator, or may cause the equipment to malfunction.
3. Make sure that your equipment has been cleared of ALL livestock after use.
4. Some chemicals and medicines can damage powder coat. Take all precautions and wash after use.
5. Maximum speed 40km/25mph
6. Maintain tire pressure of 80 psi.
7. Check wheel lug nuts after 10, 25, 50 miles of use, ensure torqued to 120 ft. lbs.
 - a. This applies to first time use and wheel changes.

INSTALLING THE STABILIZER BAR ON THE STATIONARY LOADING RAMP

- 1** Slide the stabilizer bars into the tube on both sides.



- 2** Tighten down the 1/2" bolt with a 3/4" wrench to lock the stabilizer bar in place.



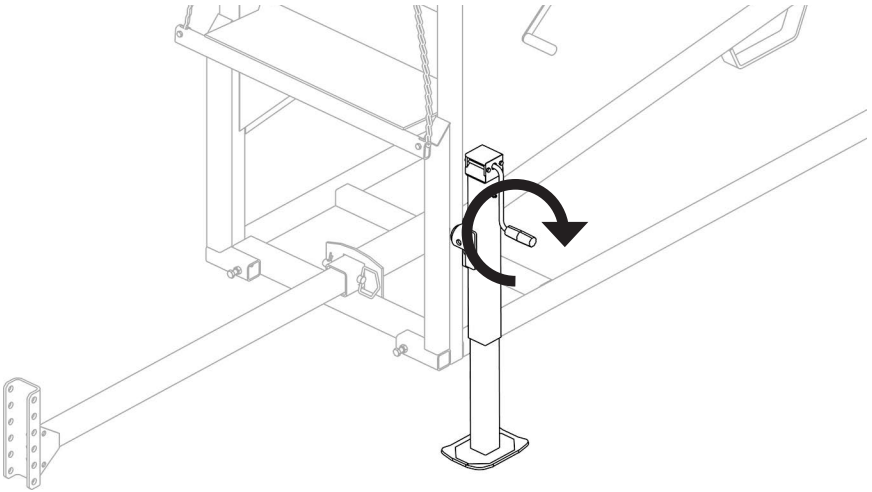
PORTABLE LOADING RAMP TRANSPORTATION INSTRUCTIONS

REMINDERS:

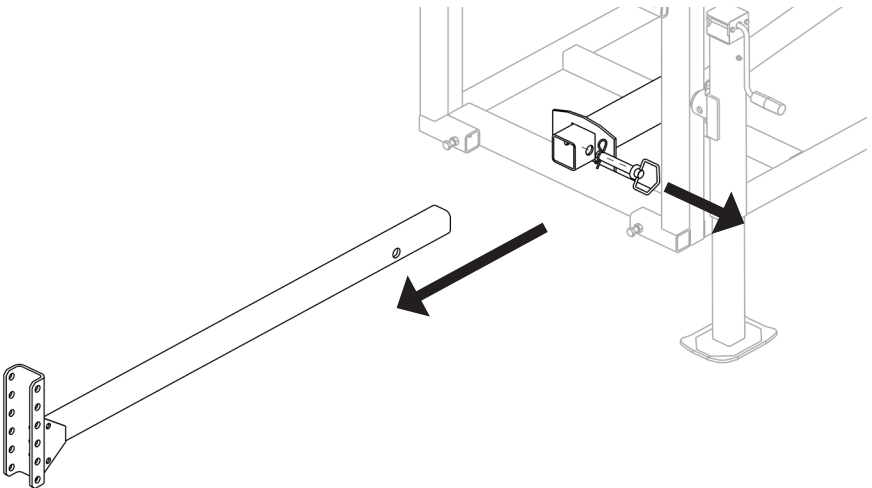
1. Always release the tension on the winch before towing.
2. Ensure all pins and lock clips are in place.
3. Ensure all bolts are properly tightened before and after use.
4. Inspect for possible damage at regular intervals.

TO LOWER THE UNIT:

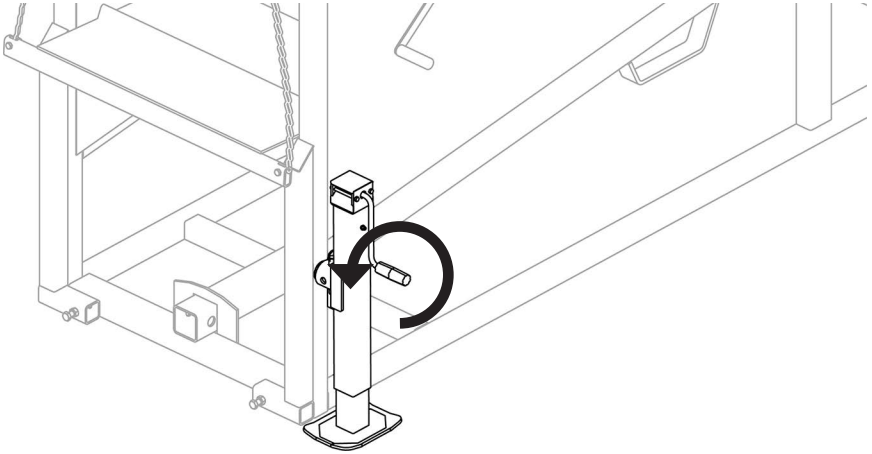
- 1 Extend the front jack to the ground and unhook the loading ramp from the towing vehicle.



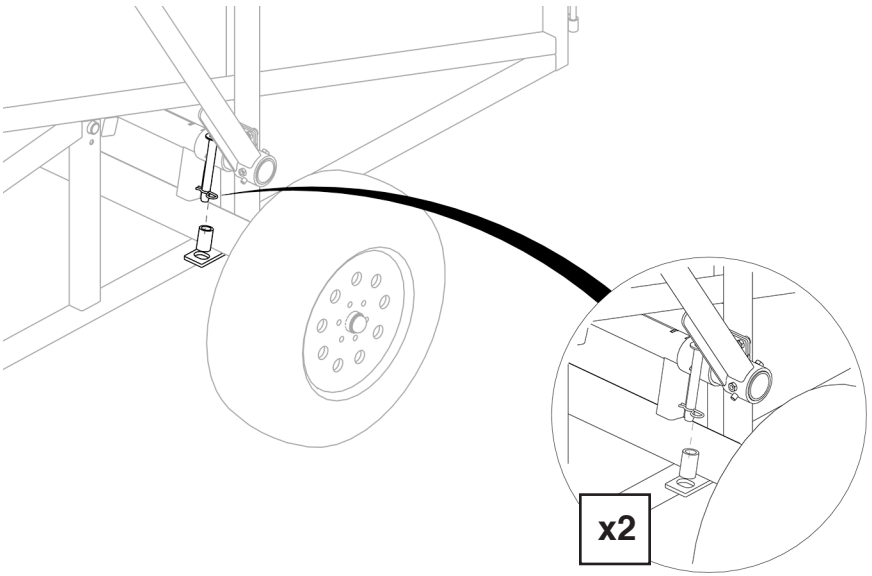
- 2 Remove the hitch.



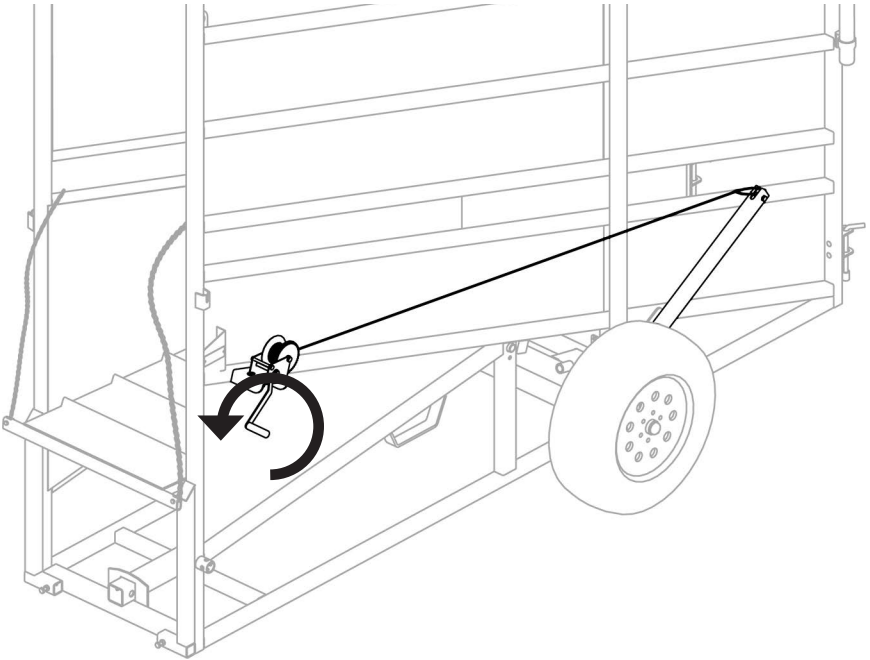
3 Using the front jack, lower the loading ramp to the ground.



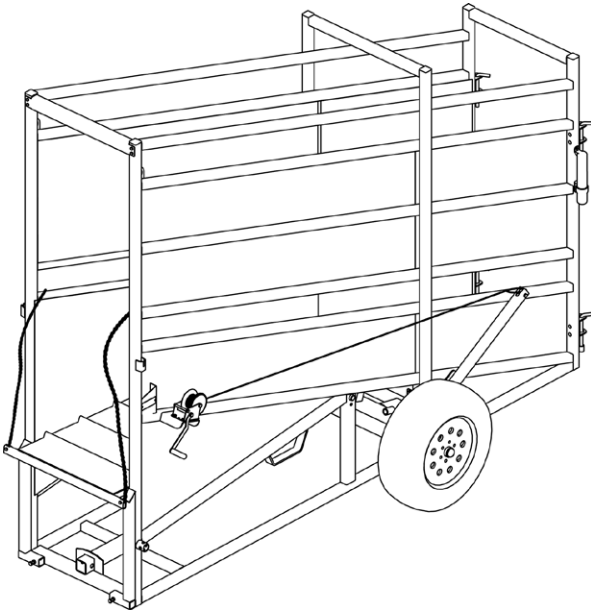
4 Remove and set aside transport pins.



5 Using the winch lever, lower the loading ramp to the ground completely.

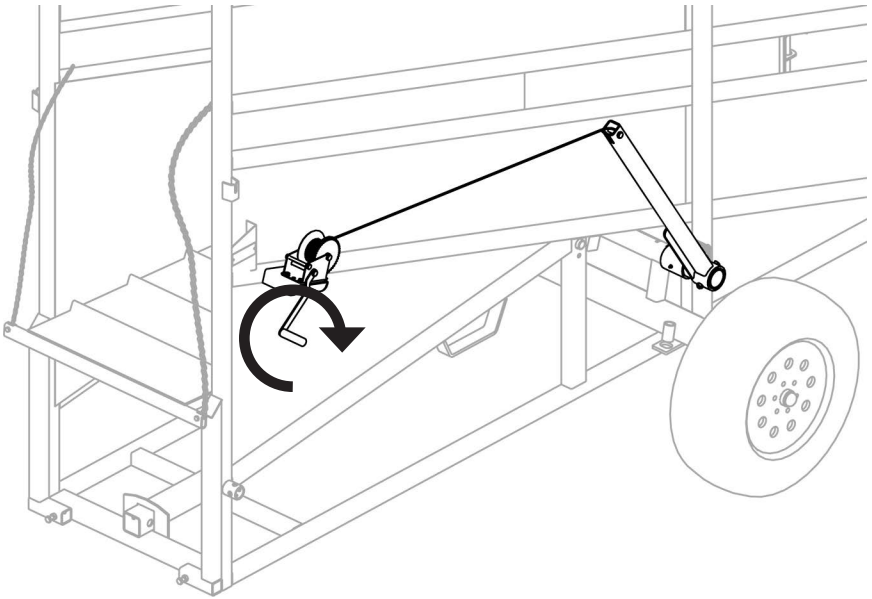


READY FOR USE

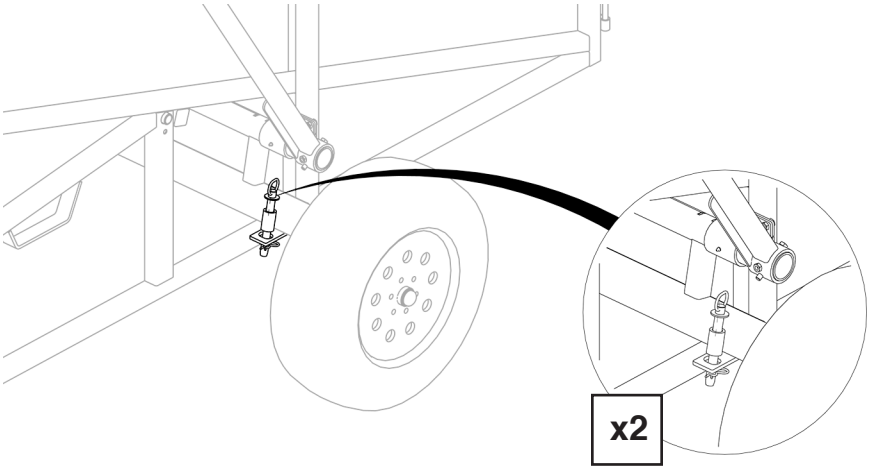


TO RAISE THE UNIT:

1 Using the winch lever, raise the loading ramp.

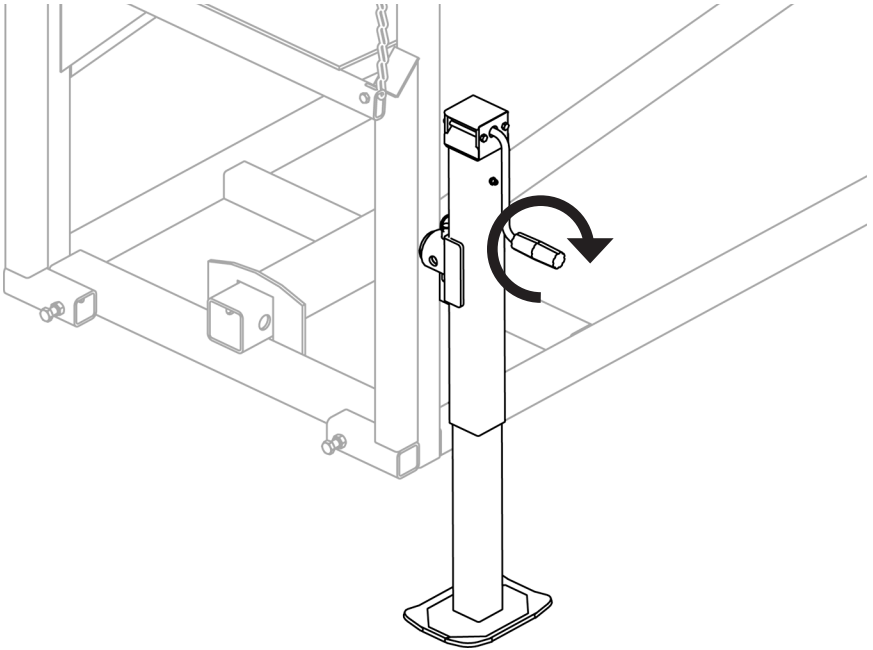


2 Secure the wheels with transport pins.

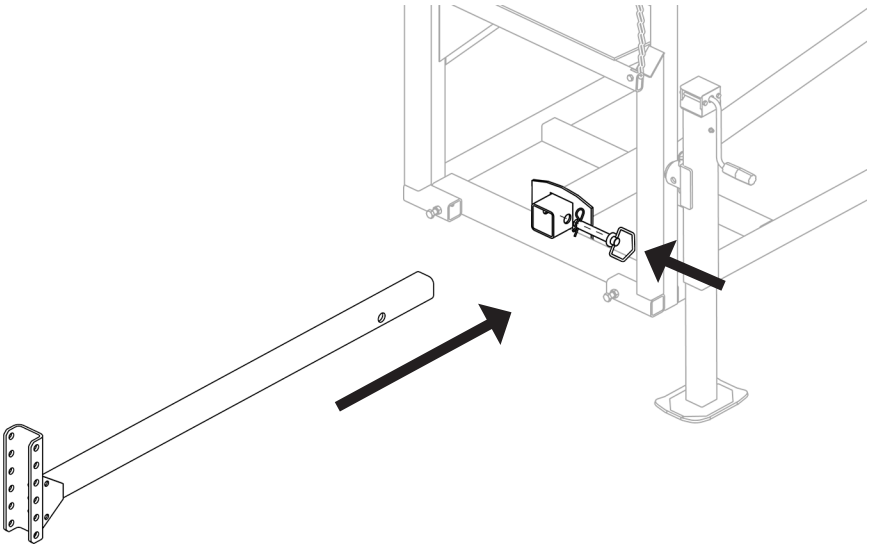


BEFORE PROCEEDING, RELEASE TENSION ON WINCH.

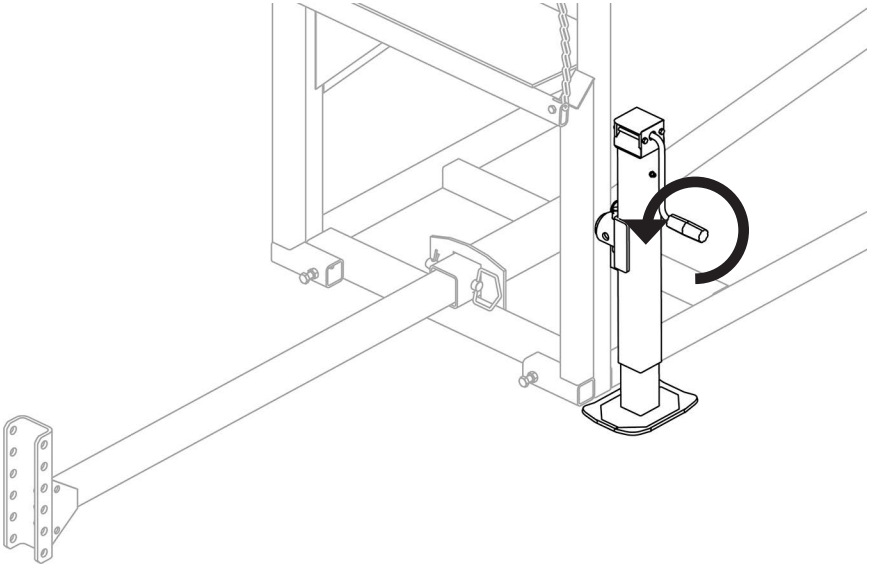
3 Using the front jack, raise the loading ramp 3" above the ground.



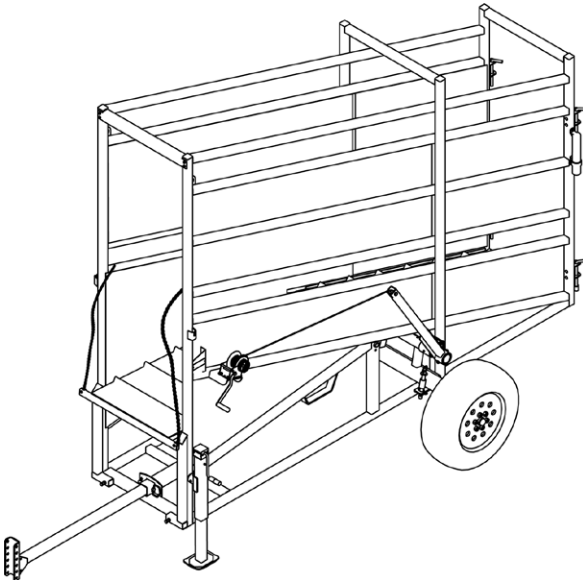
4 Install the hitch and secure with the pin.



- 5 Connect the unit to the towing vehicle. Adjust the hitch to the proper position for the vehicle, if necessary.
- 6 Retract the front jack completely.



READY FOR TRANSPORT

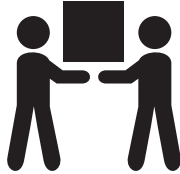


PORTABLE LOADING RAMP WHEEL INSTALLATION

BEFORE INSTALLING



Level Ground



HEAVY
Partner Lift


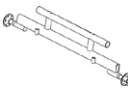
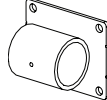




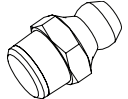

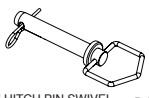
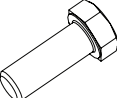
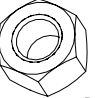



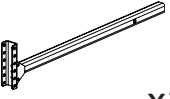


Forklift Required

TOOLS REQUIRED

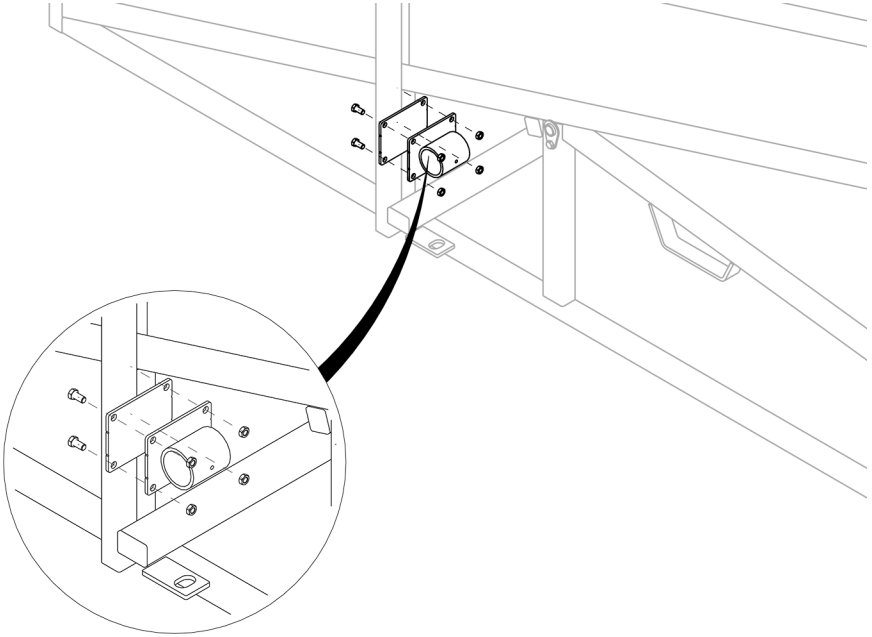
- 3/4" Wrench (x2)
- 13/16" Wrench

PACKING LIST

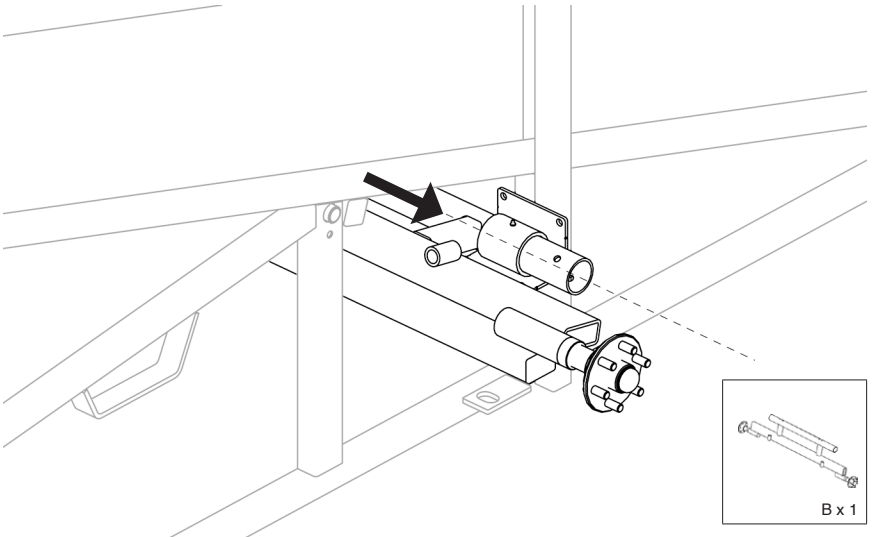
 2003988 A STATIONARY LOADING CHUTE x1	 2003984 B LOADING RAMP AXLE x1	 2003983 C BUSHING x2	 2000993 D WHEEL HUB & TIRE x2
 2004487 E WINCH WITH CABLE x1	 2010328 F WINCH LEVER x1	 2000893 G PANEL PIN x4	 7002816 H 5/16" GREASE ZERKS x2
 2003452 I 7/8" HITCH PIN HANDLE x2	 7002108 J 7/8" HITCH PIN SWIVEL HANDLE x1	 7002023 K 3/8" X 1" HEX BOLT x8	 7002068 L 1/2" LOCK NUT x10
 7002289 M 1/2" X 1" HEX BOLT x1	 7001811 N 3/8" FLANGE NUT x3	 2000986 O HITCH JACK x1	 2001000 P HITCH x1

Your Portable Loading Ramp will come packaged from the factory for shipping purposes, and will need to be disassembled before being properly assembled for use. Remove and discard the packing materials, then release the wheels and set aside.

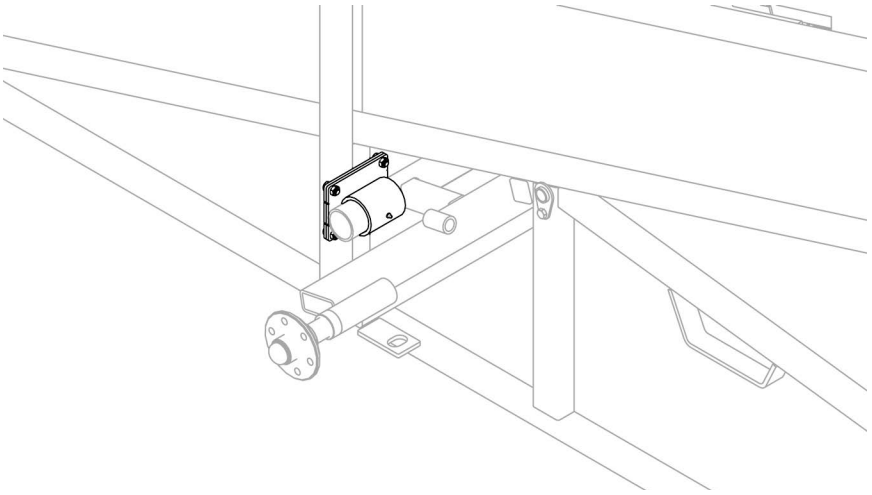
1 Remove one bushing from the main frame. Keep fasteners.



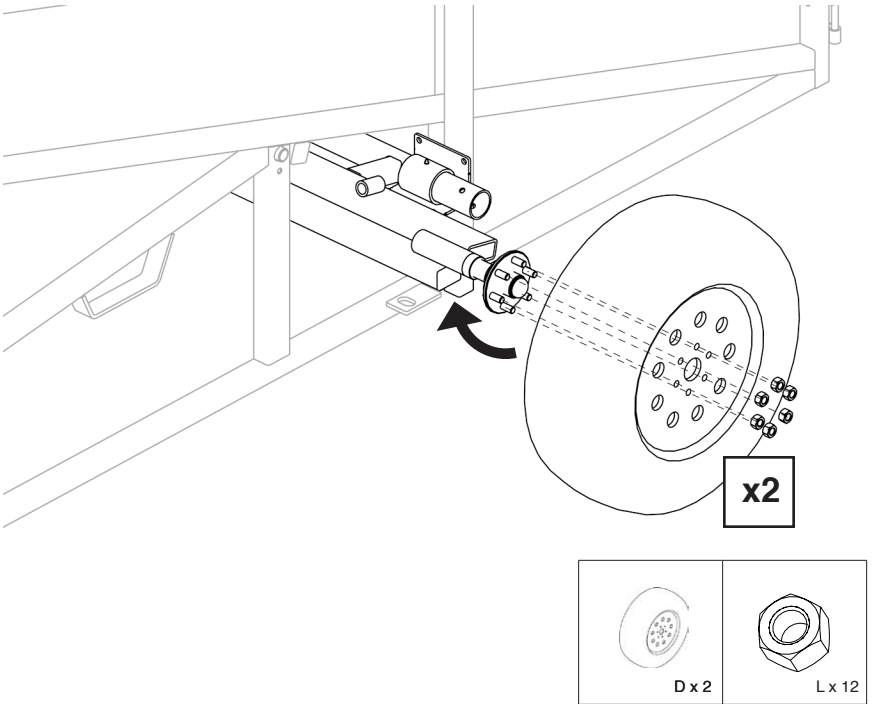
2 Insert the axle into the connected bushing.



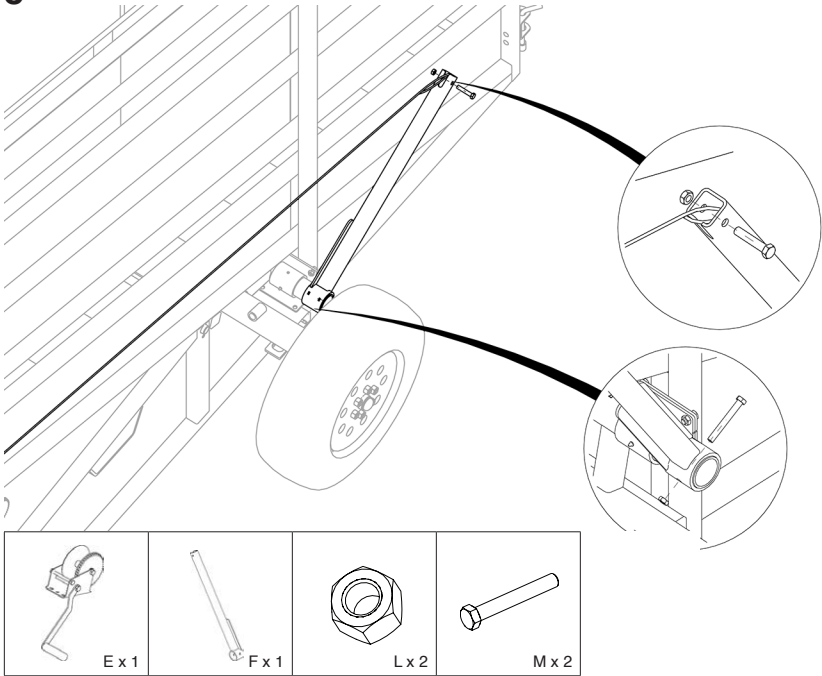
3 Re-install the bushing removed in Step 1, and secure to the frame with provided fasteners.



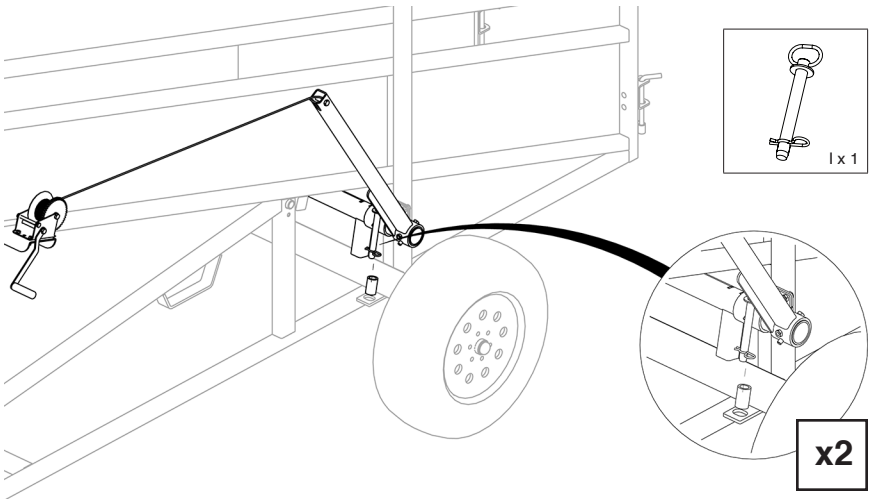
4 Lift axle to install wheels. Connect with bolts.



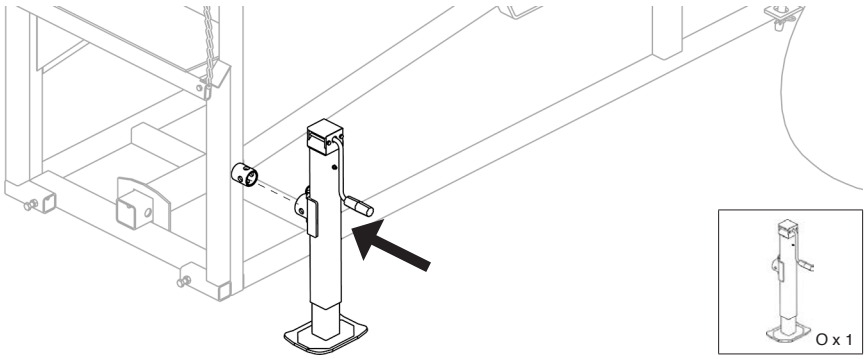
5 Install winch lever and cable.



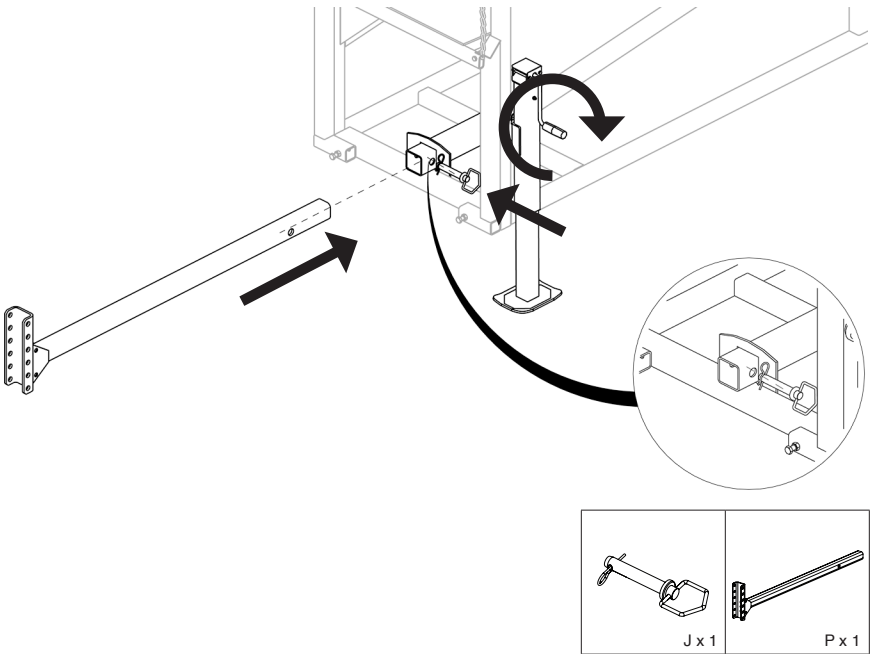
6 Install hitch pin handle and secure. Then lift the unit with the winch. **Always release the tension on the winch before towing.**



7 Install the hitch jack.



8 Install the hitch.


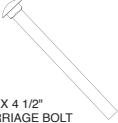



VET CAGE INSTALLATION

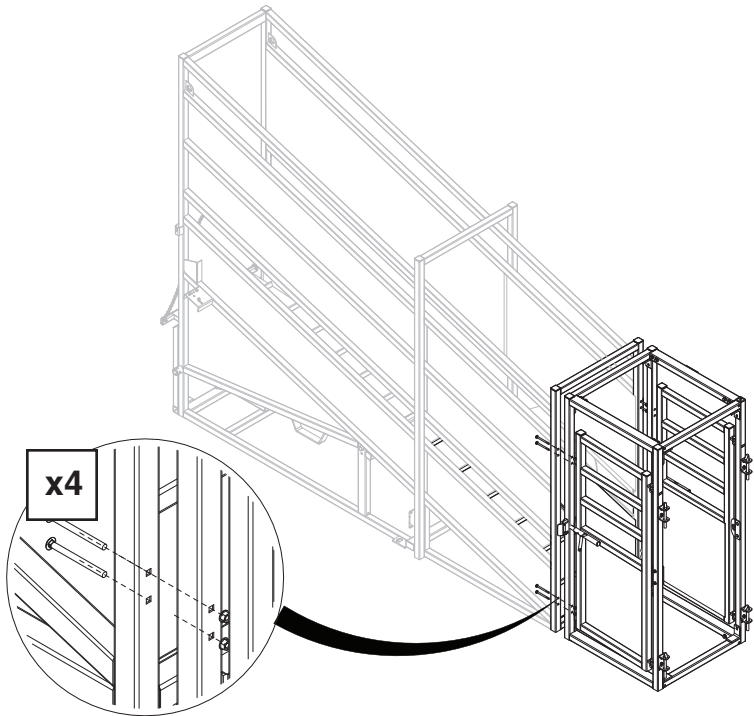
TOOLS REQUIRED

- 9/16" Wrench

PACKING LIST

 <p>2002409 A</p> <p>VET CAGE</p> <p>x1</p>	 <p>7002318 B</p> <p>3/8" X 4 1/2" CARRIAGE BOLT</p> <p>x8</p>	 <p>7001811 C</p> <p>3/8" FLANGE NUT</p> <p>x8</p>
-----------------------------------------------------------------------------------------------------------------------------------------	----------------------------------------------------------------------------------------------------------------------------------------------------------------	------------------------------------------------------------------------------------------------------------------------------------------------

If you choose to add a vet cage to your loading ramp at a later date, please follow these instructions to connect the vet cage to your loading ramp securely.



RECOMMENDED MAINTENANCE

All Arrowquip Products are made with precision parts to require minimal maintenance. However, regular maintenance will keep your equipment running smoothly and safely.

1. Lubricate latches, lube bolts, and hinges regularly with WD-40. Recommended every six months, minimum.
2. Check mechanism pivot bolts for wear and lubricate or replace, as necessary.
3. Inspect for signs of mechanical damage regularly, specifically to gate latches and striker plates, and ensure gates are locking securely.

WHEEL MAINTENANCE

It is extremely important to apply and maintain proper wheel mounting torque on your trailer wheel. Torque is a measure of the amount of tightening applied to a fastener (nut or bolt) and is expressed as length force. For example, a force of 90 pounds applied at the end of a wrench on foot long will yield 90 ft. lbs. of torque. A torque wrench is the best method to assure the proper amount of torque is being applied to a fastener.

Be sure to use only fasteners matched to the cone angle of your wheel – usually 60° or 90°. The proper procedure for attaching your wheels is as follows:

1. Start all bolts or nuts by hand to prevent cross-threading.
2. Tighten bolts or nuts in the sequence shown for wheel torque requirements.
3. The tightening of the fasteners should be done in stages. Following the recommended sequence, tighten fasteners per wheel torque requirements diagram.
4. Wheel nuts/bolts should be torqued before first road use and after each wheel removal.

Check and re-torque after the first 10 miles, 25 miles, and again at 50 miles. Check periodically thereafter.

Maximum torque level that can be safely applied to the studs are: Stud Size: .5"-20 UNF, class 2A
Maximum Torque: 120ft. lbs.

WARRANTY

Your product must be registered to claim warranty, and to ensure that Arrowquip has the required information to contact you in the event of a product or part recall. Any owner who fails to register their product warranty with Arrowquip through their Authorized Arrowquip Dealer voluntarily voids their warranty. Arrowquip will repair or replace products or parts of a product that prove defective due to manufacturer defect during the Warranty Period, at their sole discretion. This excludes defects resulting from normal wear and tear or product misuse. Warranty does not cover corrosion. NOTE: Any modification, in any fashion, to any Arrowquip equipment immediately voids the product warranty. This includes the parts contained therein.

E.g. If a modification is made to the squeeze mechanism in a squeeze chute, and the sternum bar is bent afterwards, warranty for the damaged part, the sternum bar, contained in the modified equipment, the squeeze chute, is void. In addition, any remaining warranty for the squeeze chute and other parts contained therein, including, but not limited to, the head gate, locking system, Q-Catch system, and rollers, is null and void.

REGISTER FOR WARRANTY NOW:

Online: arrowquip.com/product-registration

Phone: 1-877-275-6075 | **Email:** cs@arrowquip.com



ARROWQUIP

If you have any questions regarding your product or require assistance, please contact Arrowquip's Client Care Team at 1-877-275-6075 or by email at cs@arrowquip.com.