

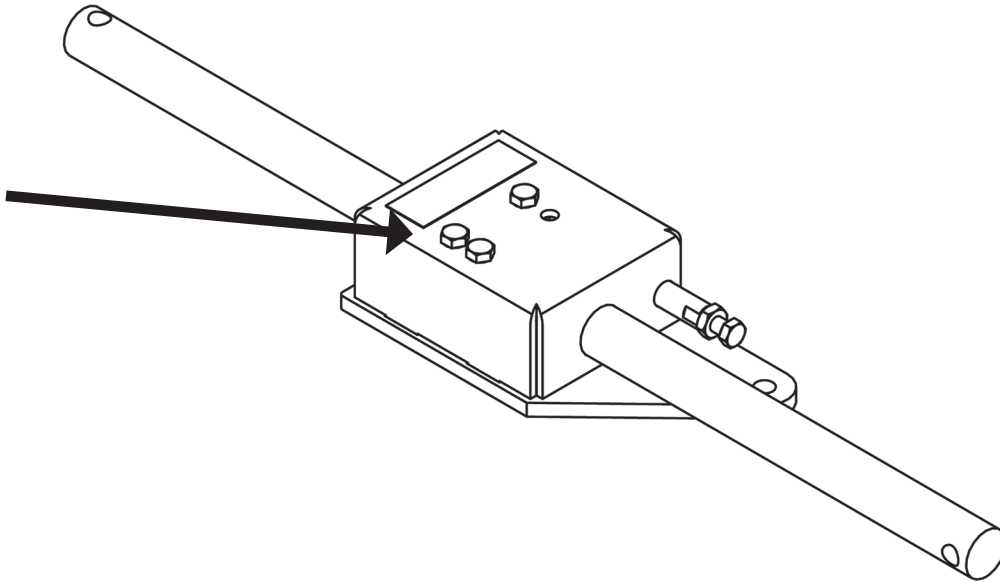
RIGHT-HAND HEAD HOLDER LOCKBOX CLEANING/PARTS REPLACEMENT

REQUIRED TOOLS

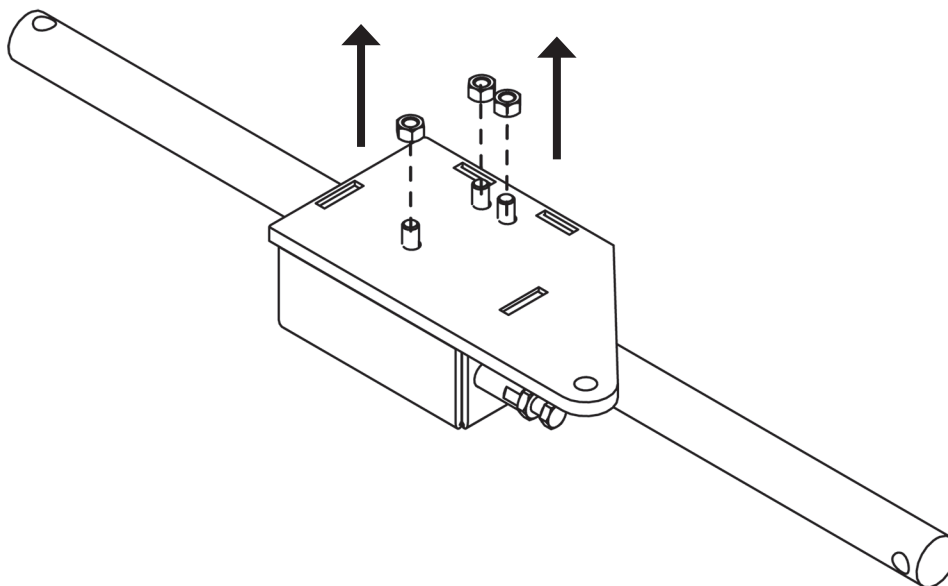
- 2x 9/16" wrench

INSTRUCTIONS

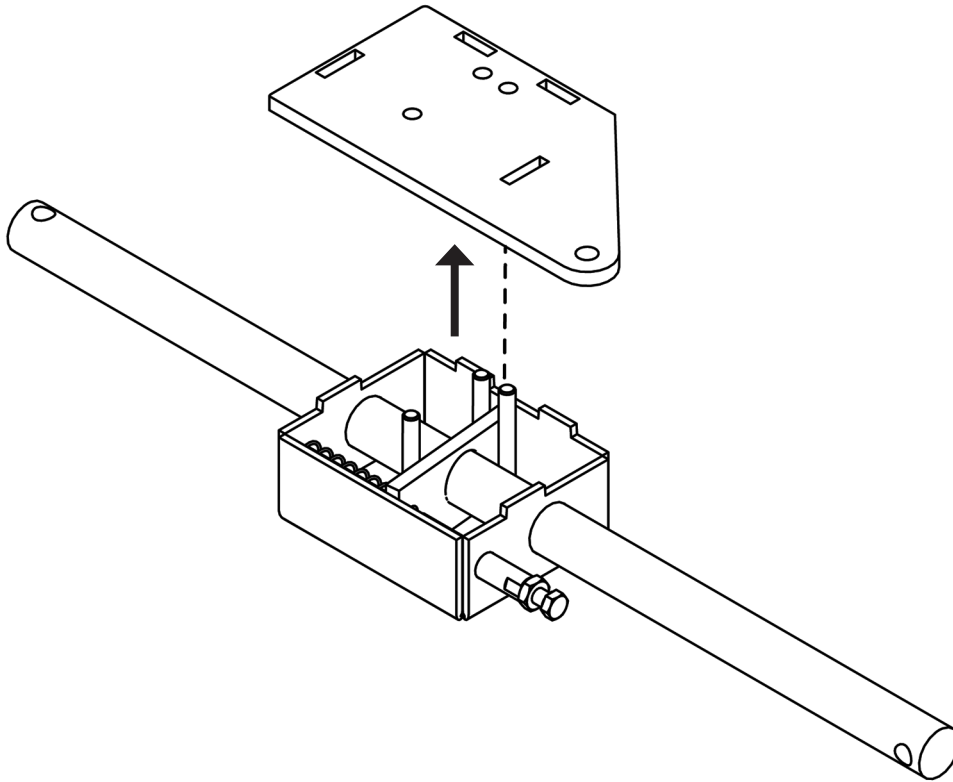
1. Loosen the three bolts on the outside of the box while holding the nuts on the back of the lock plate.



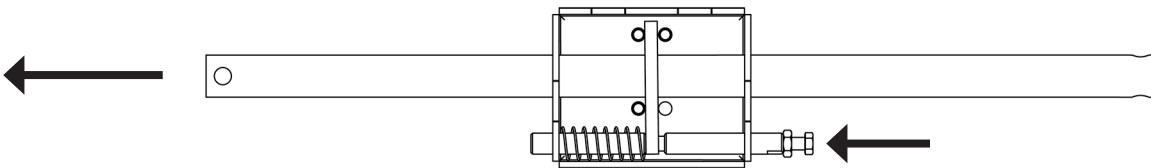
2. Turn the lockbox upside down and remove the three nuts.



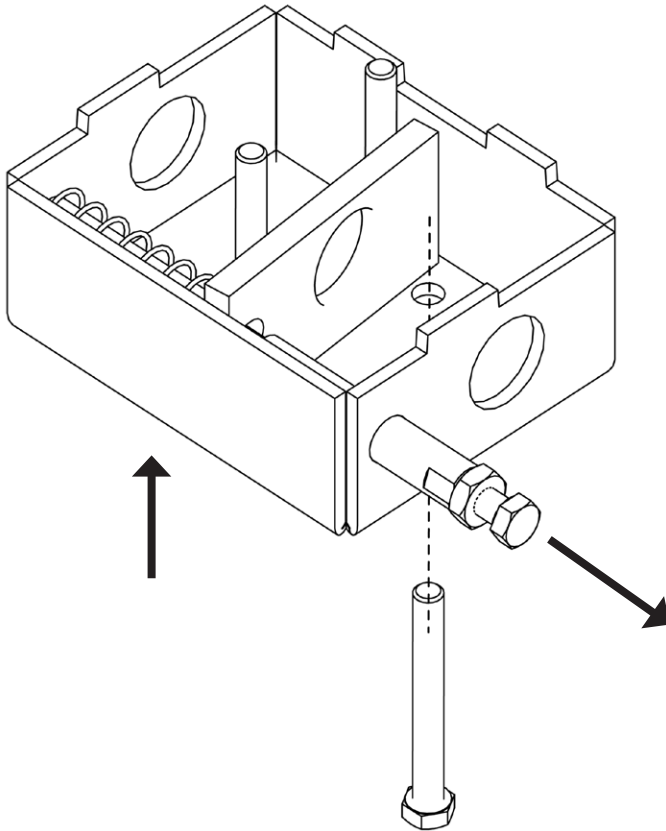
3. Remove the back plate to expose the locking mechanism.



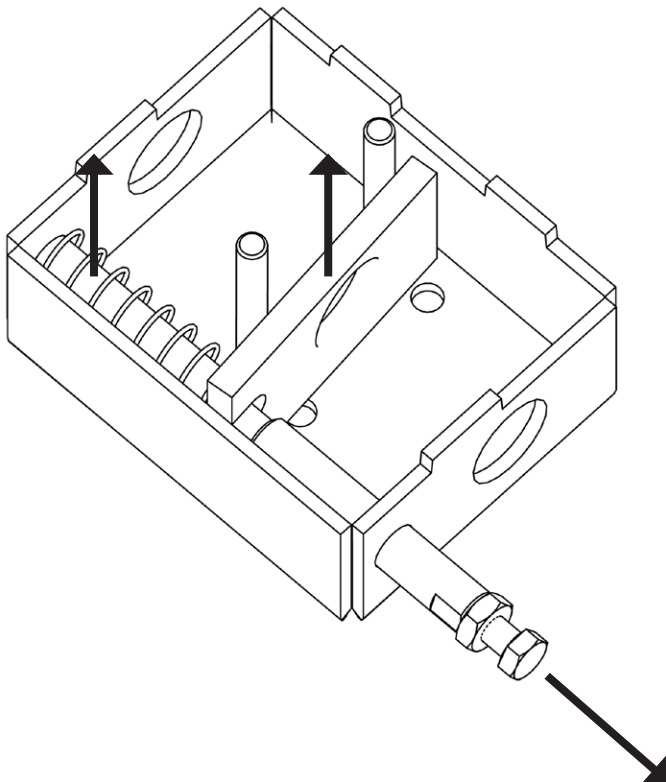
4. Push the lock pin, pushing the lock plate towards the two bolts, and remove the long lock shaft.
NOTE: Shaft can be removed through either end of the lockbox.



5. Lift the lockbox off the working surface and remove the single bolt in front of the lock plate.



6. Slowly release pressure on the lock plate and remove the lock plate, spring, and small shaft from the mechanism.



7. Clean the entire lockbox, including the back plate, spring, and shaft.
8. Reassemble lockbox in reverse order.

IMPORTANT NOTES

- The new style release has an adjustable bolt that requires a minimum 1/8" gap between the Head Holder release hook and the bolt head when installed properly.
- The lock plate can only be installed in one direction. The edge of the lock plate must be slightly below the edge of the lockbox cover with the long shaft installed. If the lock plate is reversed, it will be above the edge of the lockbox.
- When the lockbox is completely reassembled, tighten the three bolts and nuts to the housing until they are just slightly tighter than being able to turn them with your fingers (but you can still turn them with your wrench). Do not over tighten or the housing will bind to the lockplate on the backplate.

FURTHER ASSISTANCE

For further information or technical help call Arrowquip client care at 1-877-275-6075 or email cs@arrowquip.com.

