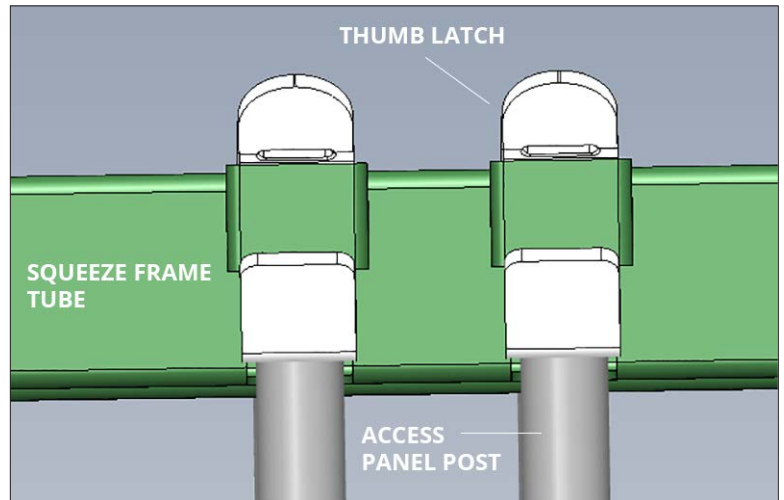
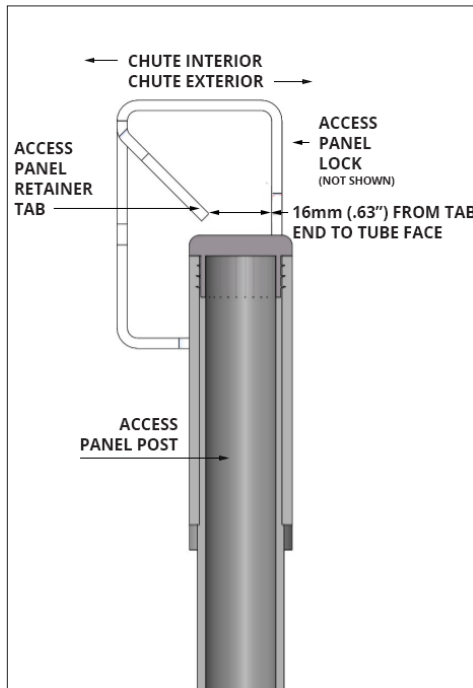


SIDE ACCESS PANEL ISSUE:

SIDE ACCESS PANELS COMING LOOSE

Due to a small production issue, the Retainer Tab that prevents the Access Panels from coming loose is not angled properly on all chutes. This may cause the Access panel to ride up and may eventually fall out.

The below images highlight the relevant pieces of the crush, as well as a cross-section image of the top tube with the Access Panel closed.



INSTRUCTIONS

Please test all crushes that you have in stock to ensure that the 16mm dimension is correct. This can be measured with calipers or with the following method.

1. Ensure Thumb Latch is in the down/home position.
2. Pull the access panel forward slightly, then lift the Access Panel as high as you can and make sure the bottom post does not come out of the frame.
 - a. Maximum upward travel of the Access Panel should be no more than 1/2".

FURTHER ASSISTANCE

If you require further information or technical assistance, contact Arrowquip Client Care at 1-866-383-7827 or cs@arrowquip.com.

